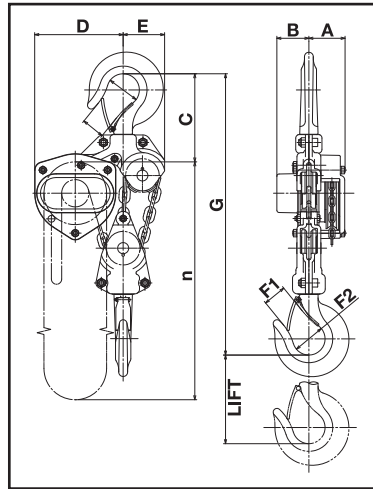
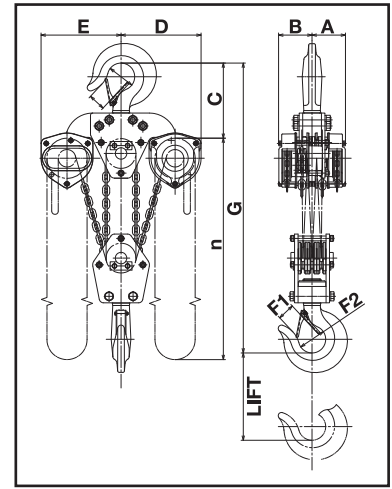


## Hand Chain Hoists | 10 – 50 Ton | H50A

**20 Ton Model**

**10 Ton**

**20 Ton**


### Specifications

Capacity (Tons)	Headroom	Pull to Lift Load (lbs.)	Strands of Load Chain	Weight (lbs.)	Weight for Additional One Foot of Lift (lbs.)	Chain (mm)
10	31.1"	95	3	124	4.44	10 x 30.3
16	41"	104	5	272	7.60	10 x 30.3
20	42.5"	99 x 2	6	463	8.88	10 x 30.3
25	43.3"	97 x 2	8	587	11.84	10 x 30.3
32	58"	104 x 2	10	822	14.80	10 x 30.3
40	67"	101 x 2	14	1,226	20.72	10 x 30.3
50	71.7"	104 x 2	20	1,578	29.60	10 x 30.3

*Green shading reflects rental inventory.*

### Dimensions

Capacity (Tons)	A	B	C	D	E	F1	F2	G	n
10	4.2"	3.7"	10.2"	11.1"	4.8"	2.7"	3.7"	31.1"	12.5'
16	4.2"	3.7"	13.8"	13.4"	8.3"	3"	4.1"	41"	13.1'
20	6"	6"	13.6"	15.4"	15.4"	3.1"	5"	42.5"	13.1'
25	7.2"	7.2"	13.6"	15.4"	15.4"	3.1"	5"	43.3"	13.1'
32	8.4"	8.4"	17.1"	15.7"	15.7"	3.7"	5.3"	58"	14.1'
40	10"	10"	20.9"	15.7"	15.7"	4.1"	6.5"	67"	15.1'
50	13"	13"	23.2"	15.7"	15.7"	4.3"	7.1"	71.7"	15.1'

*Green shading reflects rental inventory.*