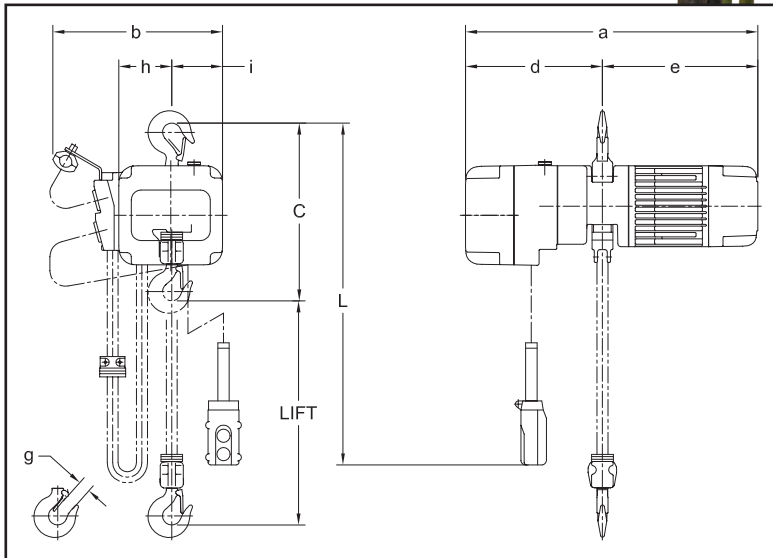


Electric Chain Hoist | 1 - 2 Ton | SNER | Hook Top



Model
SNER020L

SNER005L



Single Speed - Dimensions

Capacity (Tons)	Model	a	b	C	d	e	g	h	i
1	SNER010S	26.9"	16.5"	17.3"	12.4"	14.4"	1.2"	6.1"	5.2"
2	SNER020L	26.9"	16.5"	22.6"	12.4"	14.4"	1.5"	6.1"	5.2"

Green shading reflects rental inventory.

Single Speed - Specifications

Capacity (Tons)	Model	Lifting Speed (ft./min.)	Headroom	Lifting Motor 1 Phase 60 Hz			Load Chain Diameter (mm)	Weight (lbs.)	Weight for Additional One Foot of Lift (lbs.)	Strands of Load Chain
				Output (Hp)	Rated Current (amps)					
					@115V	@230V				
1	SNER010S	14	17.3"	1.2	23.9	12.0	8.0	150	0.93	1
2	SNER020L	7	22.6"	1.2	23.9	12.0	10.0	159	1.5	1

Green shading reflects rental inventory.