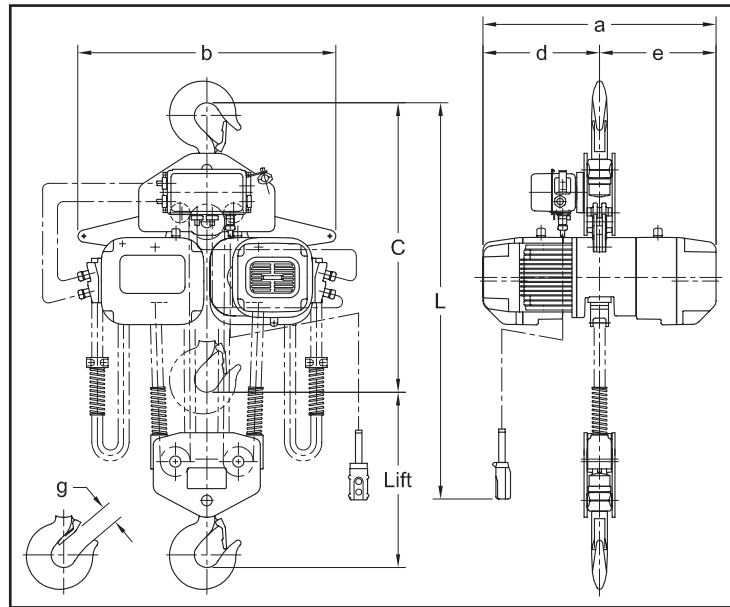


Electric Chain Hoists | 10 Ton | ER-NR | Hook Top | Single Speed



Model
NER100S

NER100S



Single Speed - Specifications

Capacity (Tons)	Model	Style	Lifting Speed (ft./min.)	Headroom (in)	Lifting Motor 3 Phase 60 Hz			Load Chain Diameter (mm)	Weight (lbs.)	Weight for Additional One Foot of Lift (lbs.)	Strands of Load Chain
					Output (Hp)	Rated Current (amps)					
						@208-230V	@460V				
10	ER100L	ER1	6	52.6	4.7	18.3	9.2	11.2 x 34.40	516	8.1	4
10	NER100S	ER2	11	53.9	4.7 x 2	16.4 x 2	7.9 x 2	11.2 x 31.20	594		

Green shading reflects rental inventory.

**Available lug mount only. Push button cord dimensions (L) is to center of lug hole.*

Single Speed - Dimensions (inches)

Capacity (Tons)	Model	Style	a (in)	b (in)	C (in)	d (in)	e (in)	g (in)	h (in)	i (in)
10	ER100L	ER1	30.9	39.4	52.6	15.5	15.5	2.4	14.0	20.4
10	NER100S	ER2	31.4	33.4	53.9	15.7	15.7	3.2		

Green shading reflects rental inventory.