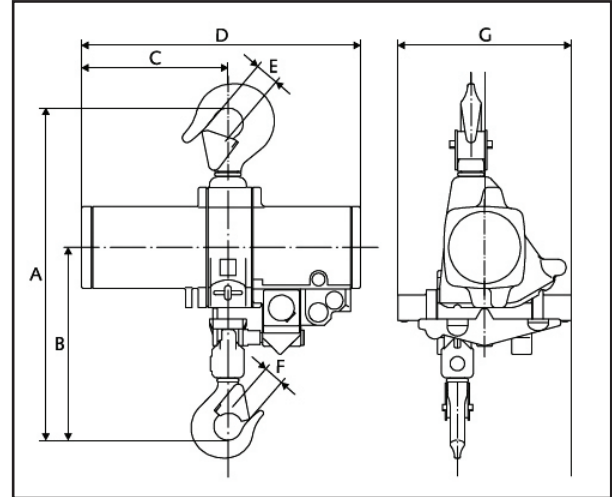
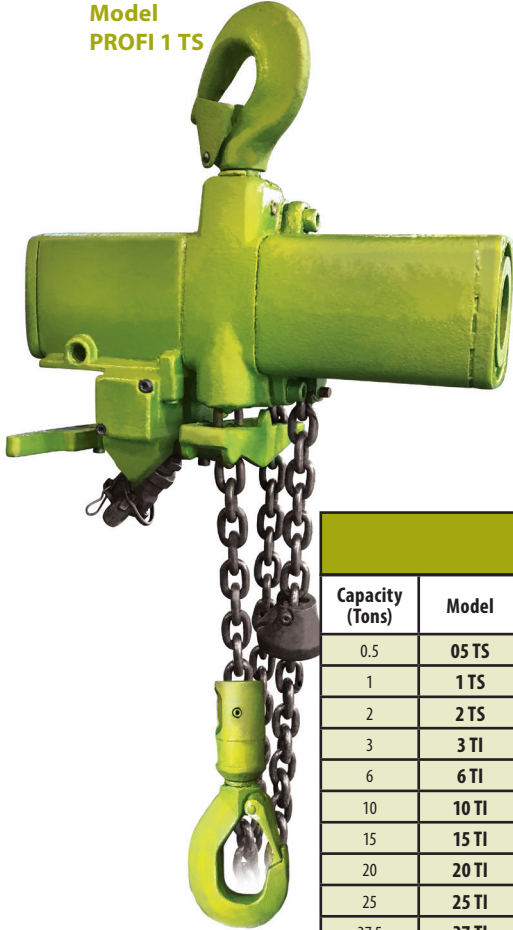


Air Chain Hoists | 1/2 – 50 Ton | Profi (OS) Series | Hook Top

 Model
PROFI 1 TS


Dimensions

| Capacity (Tons) | Model | A | B | C | D | E1 | E2 | F | G |
|-----------------|-------|--------|-------|-------|-------|-------|-------|-------|-------|
| 0.5 | 05 TS | 15.5" | 9.4" | 5.67" | 12.1" | 1.02" | 1.02" | 3.2" | 8.54" |
| 1 | 1 TS | 16.1" | 9.4" | 7.2" | 13.7" | 1.18" | 1.02" | 2.9" | 8.54" |
| 2 | 2 TS | 21.4" | 14.6" | 7.2" | 13.7" | 1.18" | 1.18" | 4.56" | 8.54" |
| 3 | 3 TI | 21.25" | 12.6" | 7.9" | 18.9" | 1.6" | 1.18" | 3" | 10.8" |
| 6 | 6 TI | 25.6" | 16.9" | 7.9" | 18.9" | 1.6" | 1.6" | 3" | 10.8" |
| 10 | 10 TI | 31.5" | 21" | 9.4" | 20.8" | 1.7" | 1.7" | 4.7" | 13.4" |
| 15 | 15 TI | 35.8" | 23" | 9.4" | 20.8" | 2.2" | 2.2" | 5.6" | 18.3" |
| 20 | 20 TI | 42.9" | 27.9" | 15.4" | 30.2" | 2.9" | 2.9" | 4.3" | 14.2" |
| 25 | 25 TI | 51" | 37.9" | 15.5" | 33" | 2.9" | 2.9" | 5.7" | 24" |
| 37.5 | 37 TI | 57.7" | 36.8" | 14.8" | 31.8" | 3.9" | 3.9" | 20.4" | 21.2" |
| 50 | 50 TS | 68.7" | 45.7" | 17.4" | 38.7" | 4.05" | 4.05" | 9" | 21.2" |

Green shading reflects rental inventory.

Specifications

| Capacity (Tons) | Model | Strands of Load Chain | Motor Output (kw) | Headroom | Lifting Speed (ft./min.) | | Lowering Speed (ft./min.) | Air Consumption (cfm) | Air Connection | Weight (lbs.) | Load Chain Dia. (mm) | Weight for Additional One Foot of Lift (lbs.) |
|-----------------|-------|-----------------------|-------------------|----------|--------------------------|--------------|---------------------------|-----------------------|----------------|---------------|----------------------|---|
| | | | | | Without Load | At Full Load | At Full Load | | | | | |
| 0.5 | 05 TS | 1 | 1 | 15.5" | 72.2 | 32.8 | 78.7 | 49.6 | G 1/2 | 46.1 | 7 x 21 | 0.67 |
| 1 | 1 TS | 1 | 1 | 16.1" | 36.1 | 16.4 | 39.4 | 49.6 | G 1/2 | 50.5 | 7 x 21 | 0.67 |
| 2 | 2 TS | 2 | 1 | 21.4" | 18 | 8.2 | 19.7 | 49.6 | G 1/2 | 62.5 | 7 x 21 | 1.34 |
| 3 | 3 TI | 1 | 3.5 | 21.25" | 23 | 11.48 | 27.9 | 85 | G 3/4 | 121.9 | 13 x 36 | 2.55 |
| 6 | 6 TI | 2 | 3.5 | 25.6" | 11.5 | 5.58 | 13.8 | 85 | G 3/4 | 142.6 | 13 x 36 | 5.1 |
| 10 | 10 TI | 2 | 3.5 | 31.5" | 8.53 | 3.28 | 9.84 | 85 | G 3/4 | 197 | 16 x 45 | 7.8 |
| 15 | 15 TI | 3 | 2.2 | 35.8" | 5.58 | 2.3 | 6.56 | 85 | G 3/4 | 301 | 16 x 45 | 11.7 |
| 20 | 20 TI | 4 | 3.5 | 42.9" | 3.28 | 3.64 | 4.26 | 102.7 | G 3/4 | 471 | 16 x 45 | 15.6 |
| 25 | 25 TI | 2 | 6.3 | 51" | 7.55 | 3.61 | 6.23 | 194.8 | G 1" | 1,039 | 22 x 66 | 14.5 |
| 37.5 | 37 TI | 3 | 6 | 57.7" | 1.6 | .65 | 1.5 | 194.8 | G 1 | 1,772 | 22 x 66 | 21.75 |
| 50 | 50 TS | 4 | 6 | 68.7" | 4.26 | 1.48 | 4.59 | 194.8 | G 1" | 1,745 | 22 x 66 | 29 |

Green shading reflects rental inventory.