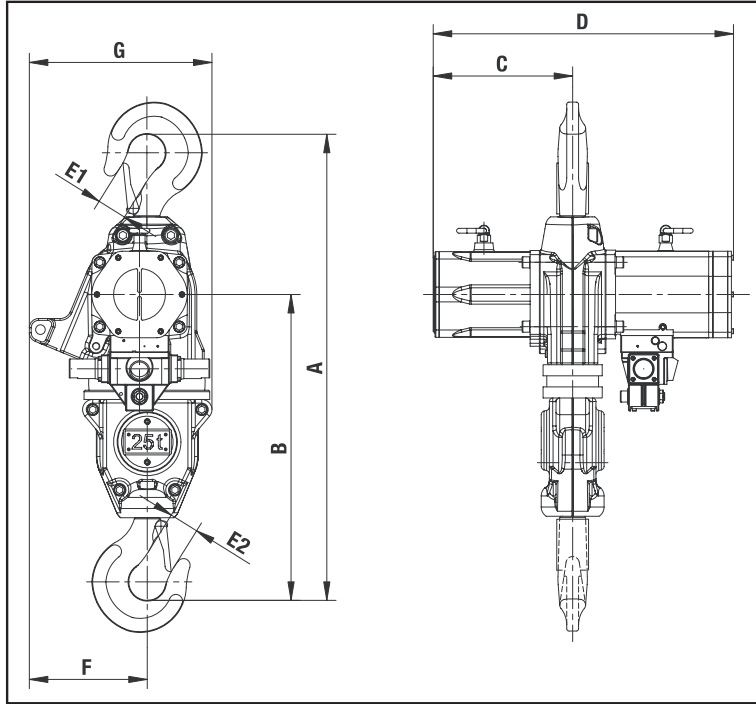


Model PROFI 50 TI

Air Chain Hoists | 25 - 100 Ton | Profi (OS) Series | Hook Top



Specifications

Capacity (Tons)	Model	Air Pressure (PSI)	Strands of Load Chain	Motor Output (kW)	Headroom	Lifting Speed (ft./min.)		Lowering Speed (ft./min.)	Air Consumption at Full Load (CFM)		Air Connection	Hose Dimension (Ø inside/Ø outside) (mm)	Weight (lbs.)	Load Chain Dia. (mm)	Weight for Additional One Foot of Lift (lbs.)	Sound Level at Full Load dB(A)	
						w/o Load	Full Load		Full Load	Lifting						Lowering	Lifting
25	25 TI	85	2	6.3	51"	7.55	3.61	6.23	194.8	230	G 1"	25/39	953	22	14.5	83	83
37.5	37 TI		3	6	57.7	1.6	.65	1.5					1,772		21.75		
50	50 TS		4	6	68.7"	4.26	1.48	4.59					1595		29		
100	100 TI		4	10	86.6"	2.30	1.15	2.62					389.5		424.9		

Green shading reflects rental inventory.

Dimensions

Capacity (Tons)	Model	A (in)	B (in)	C (in)	D (in)	E1 (in)	E2 (in)	F (in)	G (in)
25	25 TI	51	37.9	15.5	33	2.9	2.9	5.7	24
37.5	37 TI	57.7	36.8	14.8	31.8	3.9	3.9	20.4	21.2
50	50 TS	68.7	45.7	17.4	38.7	4.05	4.05	9	21.2
100	100TI	86.6	58.1	28.9	59.3	4.72	4.72	17.32	30.2

Green shading reflects rental inventory.

Capacities of these units cannot be upgraded.