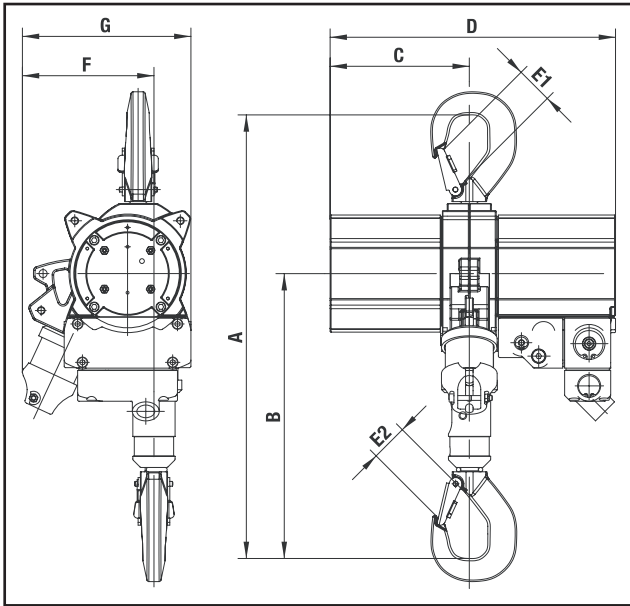


Air Chain Hoists | 1/2 – 3 Ton | Profi (NS) Series | Hook Top

Model
PROFI 1 TI

PROFI 1 TI



Dimensions

Capacity	Model	A ²	B	C	D	E1	E2	F	G
0.5	05 TI	17.7	11.3	5.7	11.7	1.1	1.1	5.4	6.9
1	1 TI	17.7	11.3	5.7	11.7	1.1	1.1	5.4	6.9
1.5	1.5 TI	18.9	11.5	7.9	16.2	1.1	1.0	6.7	8.5
2	2 TI	19.6	13.2	5.7	11.7	1.1	1.1	5.4	7.2
3.0	3 TI-2	21.4	14.0	7.9	16.2	1.1	1.1	5.5	8.5

² Chain containers increase headroom.
Green shading reflects rental inventory.

Specifications

Capacity (Tons)	Model	Air Pressure (PSI)	Strands of Load Chain	Motor Output (kW)	Headroom	Lifting Speed (ft./min.)		Lowering Speed (ft./min.)	Air Consumption at Full Load (cfm)		Air Connection	Hose Dimension (Ø inside)	Weight (lbs.)	Load Chain Dia. (mm)	Weight for Additional One Foot of Lift (lbs.)	Sound Level at Full Load* dB(A)	
						w/o Load	Full Load		Full Load	Lifting						Lowering	Lifting
0.5	05 TI	87	1	1	17.7"	62.3	36.1	55.8	42.4	53	G 1/2"	0.5"	52.2	7 x 21	.73	75	78
1	1 TI	87	1	1	17.7"	36.1	18	36.1	42.4	53	G 1/2"	0.5"	54.4	7 x 21	.73	76	78
1.5	1.5 TI	60 - 87	1	2	18.9"	32.8	19.7	39.4	92	127	G 3/4"	0.75"	111.1	9 x 27	1.19	73 - 77	78 - 80
2	2 TI	87	2	1	19.6"	18	8.9	18	42.4	53	G 1/2"	0.5"	60.4	7 x 21	1.46	76	78
3	3 TI-2	60 - 87	2	2	21.4"	16.4	9.8	19.7	92	127	G 3/4"	0.75"	122.2	9 x 27	2.38	73 - 77	78 - 80

* Measured at 1m distance acc. to DIN 45635 part 20.
Green shading reflects rental inventory.