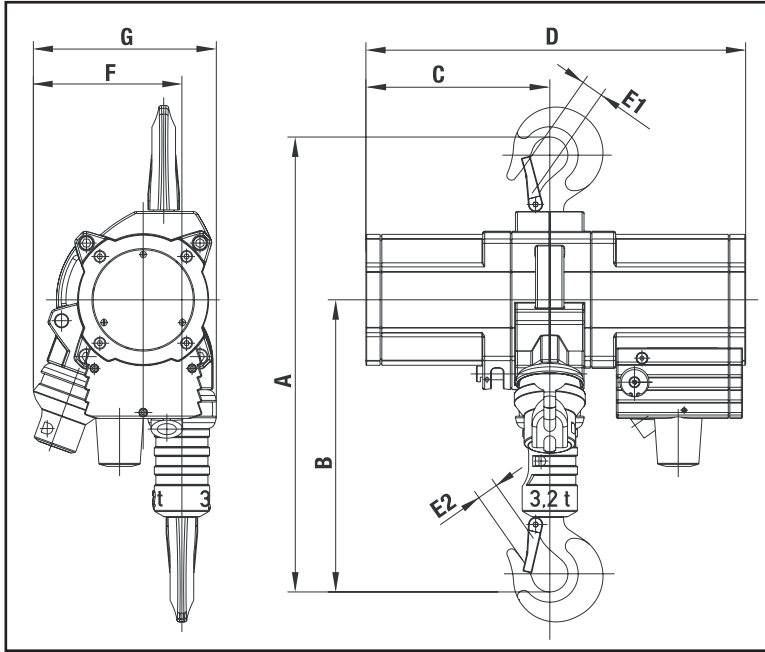


Air Chain Hoists | 3 – 20 Ton | Profi (NS) Series | Hook Top



Model
PROFI 3 TI



Specifications

Capacity (Tons)	Model	Air Pressure (PSI)	Strands of Load Chain	Motor Output (kW)	Headroom (in)	Lifting Speed (ft./min.)		Lowering Speed (ft./min.)	Air Consumption at Full Load (cfm)		Air Connection	Hose Dimension (Ø inside/Ø outside)	Weight (lbs.)	Load Chain Dia. (mm)	Weight for Additional One Foot of Lift (lbs.)	Sound Level at Full Load* dB(A)	
						w/o Load	Full Load	Full Load	Lifting	Lowering						Lifting	Lowering
3	3 TI	87	1	3.5	23.3	32.8	16.4	35.43	142	195.5	G 3/4"	¾	163	13 x 36	2.6	78	80
6	6 TI	87	2	3.5	26.5	16.4	8.2	17.71	142	195.5	G 3/4"	¾	190.5	13 x 36	5.2	78	80
10	10 TI	87	2	3.5	32	10.5	5.2	11.25	142	195.5	G 3/4"	¾	265	16 x 45	7.8	78	80
16	16 TI	87	3	3.5	35.4	6.6	3.3	6.9	142	195.5	G 3/4"	¾	412	16 x 45	11.7	78	80
20	20 TI	87	4	3.5	40.6	4.6	2.3	5.3	142	195.5	G 3/4"	¾	471	16 x 45	15.6	78	80

*Measured at 1m distance acc. to DIN 45635 part 20.
Green shading reflects rental inventory.

Dimensions

Capacity (Tons)	Model	A* (in)	B (in)	C (in)	D (in)	E1 (in)	E2 (in)	F (in)	G (in)
3	3 TI	23.3	14.7	9.2	19	1.6	1.2	7.4	9.2
6	6 TI	26.5	17.9	9.2	19	1.6	1.6	6.1	9.2
10	10 TI	32	21.6	12.1	22.6	1.7	1.7	7.8	12
16	16 TI	35.4	23.5	15	27.2	2.1	2.1	7.8	12.0
20	20 TI	40.6	26.4	15	27.2	2.8	2.8	7.1	12.4

*Chain containers increase the headroom.
Green shading reflects rental inventory.