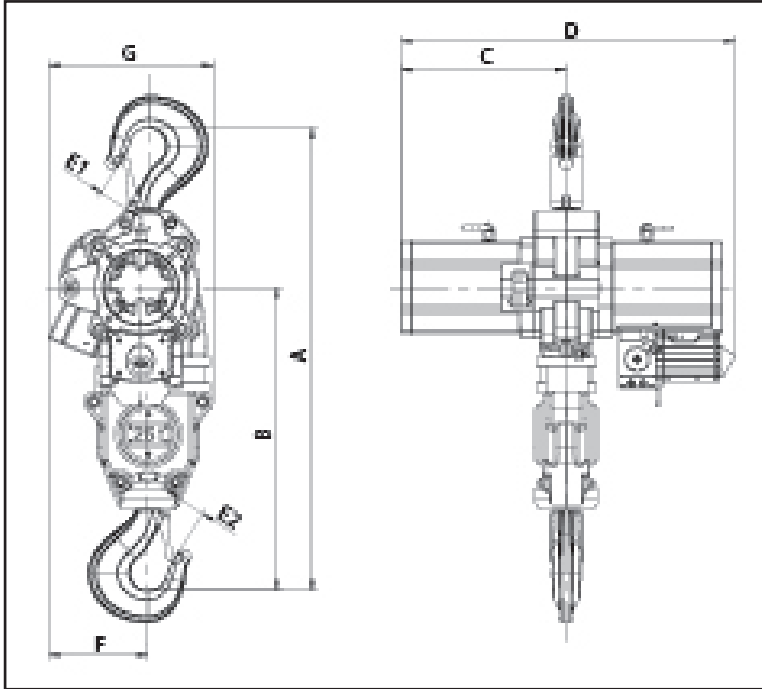


Air Chain Hoists | 25 – 60 Ton | Profi (NS) Series | Hook Top



Specifications																	
Capacity (Tons)	Model	Air Pressure (PSI)	Strands of Load Chain	Motor Output (kW)	Headroom* (in)	Lifting Speed (ft./min.)		Lowering Speed (ft./min.)	Air Consumption at Full Load (cfm)		Air Connection	Hose dimension (Ø inside) (mm)	Weight (lbs.)	Load Chain Dia. (mm)	Weight for Additional One Foot of Lift (lbs.)	Sound Level at Full Load dB(A)	
						w/o Load	Full Load	Full Load	Lifting	Lowering						Lifting	Lowering
25	25 TI	87	2	6.3	49.6	7.9	4.1	9.2	230	102	G 1 1/2"	35	1,184	22 x 66	14.5	78	82
30	30 TI	87	2	6.3	49.6	7.9	4.1	9.2	230	102	G 1 1/2"	35	1,184	23.5 x 66	16.4	78	82
37.5	37 TI	87	3	6.3	57.9	5.6	2.5	6.6	230	102	G 1 1/2"	35	1,808	22 x 66	21.75	78	82
40	40 TI	87	3	6.3	57.9	5.6	2.5	6.6	230	102	G 1 1/2"	35	1,808	23.5 x 66	24.6	78	82
50	50 TI	87	4	6.3	58.5	4.3	1.8	5.3	230	102	G 1 1/2"	35	1,956	22 x 66	29	78	82
60	60 TI	87	4	6.3	58.5	4.3	1.5	5.3	230	102	G 1 1/2"	35	1,956	23.5 x 66	32.8	78	82

Green shading reflects rental inventory.
 *Chain containers increase the headroom.
 This model hoist has the NMB6BI motor.

Dimensions									
Capacity (Tons)	Model	A* (in)	B (in)	C (in)	D (in)	E1 (in)	E2 (in)	F (in)	G (in)
25	25 TI	49.6	32.6	17.7	35.4	2.8	2.8	10.6	17.5
30	30 TI	49.6	32.6	17.7	35.4	2.8	2.8	10.6	17.5
37.5	37 TI	57.9	36.8	21.3	42.5	3.9	3.9	11.2	17.7
40	40 TI	57.9	36.8	21.3	42.5	3.9	3.9	11.2	17.7
50	50 TI	58.5	37.4	21.3	42.5	3.9	3.9	9.8	16.9
60	60 TI	58.5	37.4	21.3	42.5	3.9	3.9	9.8	16.9

Green shading reflects rental inventory.
 *Chain containers increase the headroom.
 This model hoist has the NMB6BI motor.