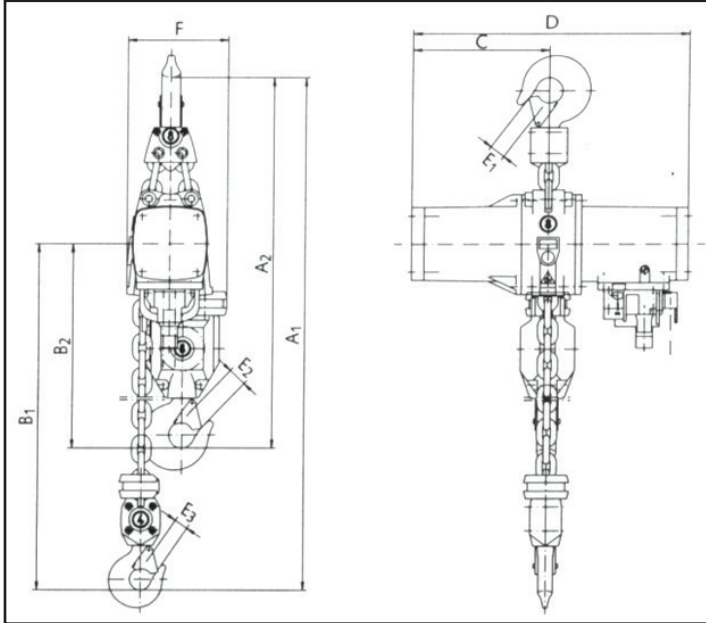


1 – 12 Ton | B & M | Hook Top


Model M 63D


Specifications

Capacity (Tons)	Model	Strands of Load Chain	Motor Output (kw)	Headroom		Lifting Speed (ft./min.)		Lowering Speed (ft./min.)	Air Consumption (cfm)	Air Connection	Weight (lbs.)	Load Chain Dia. (mm)	Weight for Additional One Foot of Lift (lbs.)
				Min.	Max.	Without Load	At Full Load	At Full Load					
1/2	M 64	1/2	0.77	23.74	25.98	26.2/13.1	9.8/4.9	41/20.6	35.3	G 3/4	68.3	9 x 27	1.2
3/6	M 63D	1/2	1.3	29.53	34.25	16.4/8.2	7.2/3.6	19.7/9.8	77.7	G 3/4	112.4	13 x 36	2.55
12	M 77	1/1	6	45.28	45.28	15.7	6.2	14.7	194.8	G 1	497.4	22 x 66	7.46
1.6/3.2	B 24	1/2	0.8	23.94	25.63	26.3/13.1	11.5/5.7	29.5/14.7	60	G 3/4	144	9 x 27	1.2
4/8	B 48	1/2	1.5	30.4	31.97	14/9.5	5.6/2.8	19/9.5	81.2	G 3/4	232.5	13 x 36	2.55
6/12	B 612	1/2	1.5	36.22	39.29	10/6.2	3.6/1.8	12.5/6.2	81.2	G 3/4	384	16 x 45	3.9

Green shading reflects rental inventory.

Dimensions

Capacity (Tons)	Model	A1	A2	B1	B2	C	D	E1	E2	E3	F
1/2	M 64	23.74	25.98	12.32	14.57	6.89	14.76	1.18	1.18	1.18	5.67
3/6	M 63D	29.53	34.25	14.57	19.29	9.33	19.96	1.57	1.57	1.18	7.68
12	M 77	45.28	45.28	23.03	23.03	14.8	31.73	1.65	1.65	1.65	14.76
1.6/3.2	B 24	23.94	25.63	12.2	13.9	9.06	18.31	1.18	1.18	1.18	5.75
4/8	B 48	30.4	31.97	16.46	18.01	11.28	22.72	1.57	1.57	1.18	7.17
6/12	B 612	36.22	39.29	18.19	21.26	12.99	25	1.65	1.65	1.57	9.13

Green shading reflects rental inventory.