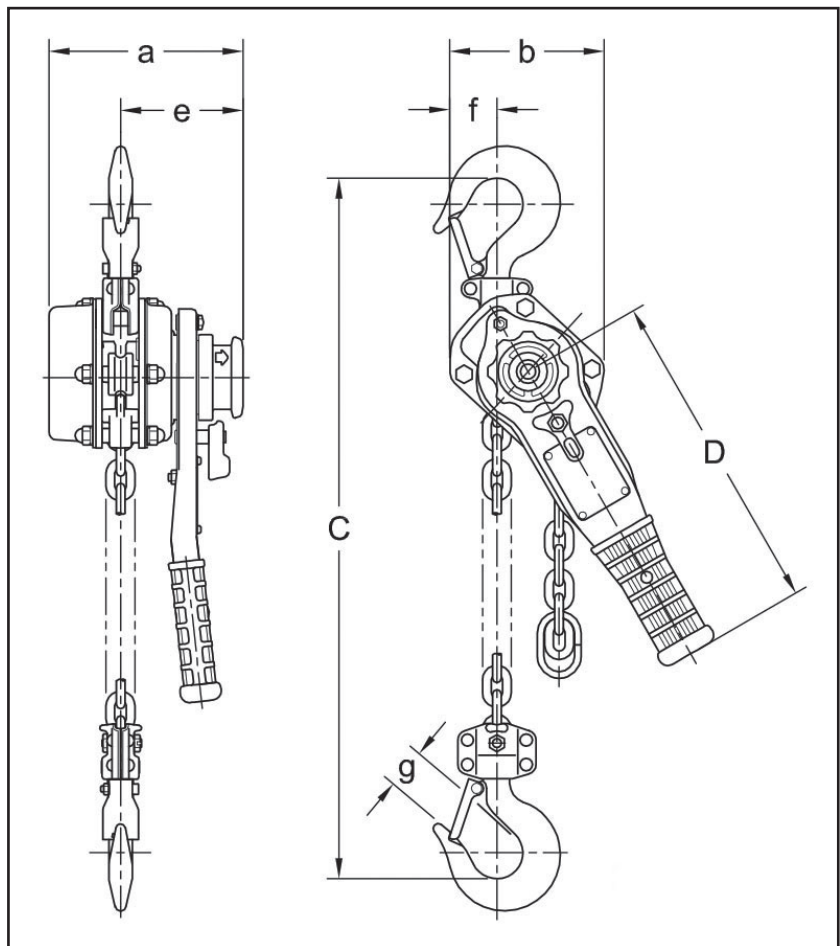


Come-A-Longs | 1½ - 3 Ton | LB - L5 Model | Lever Hoist with Overload Protection

**Harrington
Model
LB015**



Dimensions & Specifications

Model	Capacity (Tons)	C Headroom (in)	Pull to Lift Load (lbs)	a (in)	b (in)	D (in)	e (in)	f (in)	g (in)	Load Chain Diameter (mm)	Weight (lbs)	Weight for Additional One Foot of Lift (lbs)	Strands of Load Chain
LB015	1.5	13.2	45	6.3	5.0	14.4	3.9	1.5	1.3	7.1	18	0.7	1
LB030	3	15.6	69	7.5	6.3	16.9	4.4	1.8	1.5	10.0	33	1.5	1

Green shading reflects rental inventory.