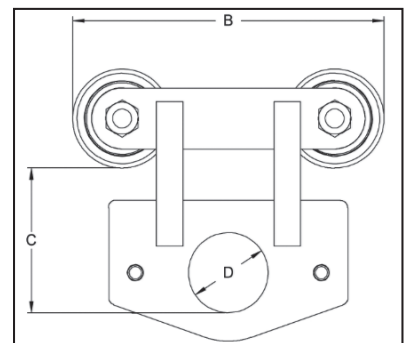
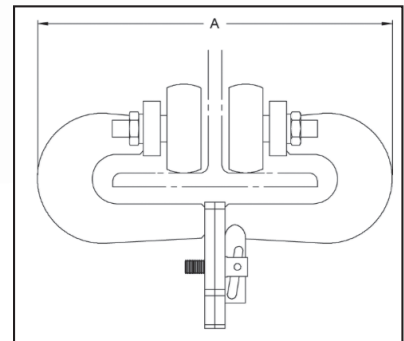
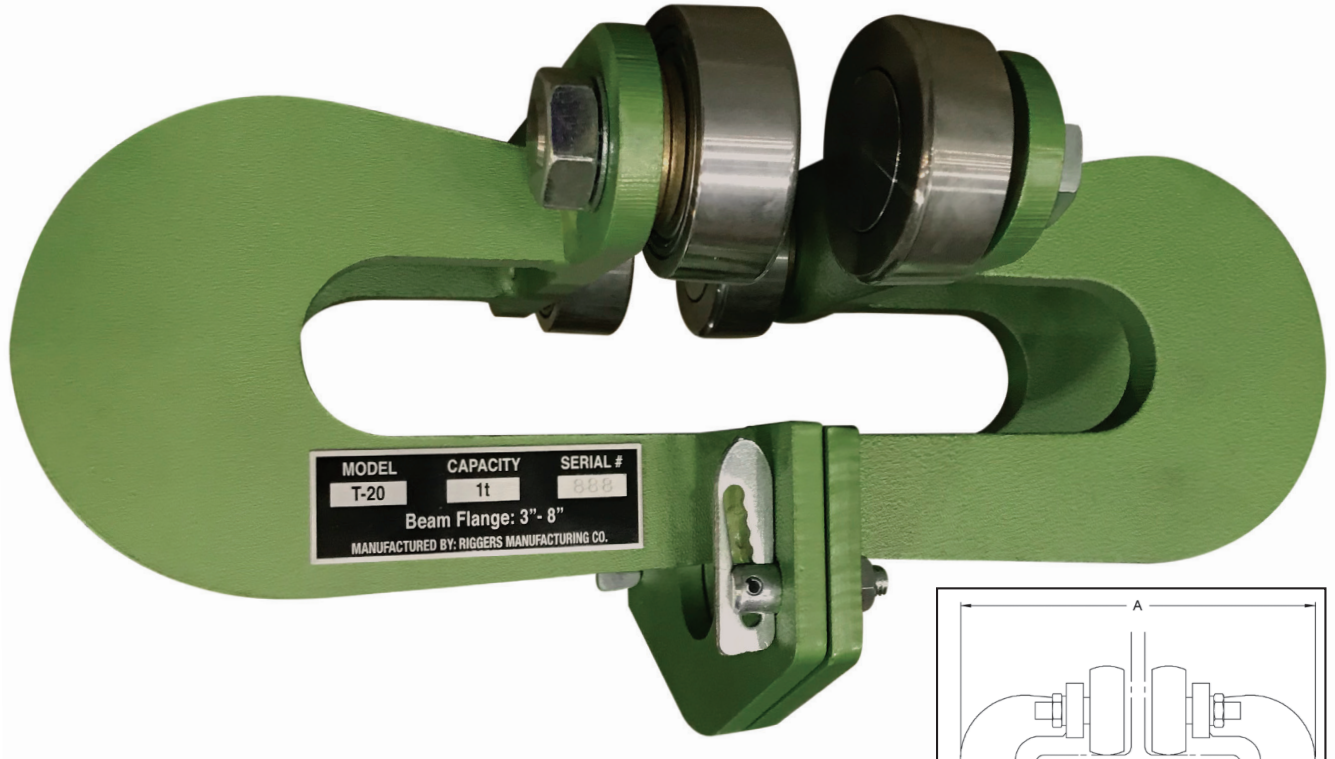


Beam Trolleys | 1 – 6 Ton | Riggers | Push Trolley



Riggers

Technical Information – Suitable for Beam Flange							
Model	Capacity (tons)	Weight (lbs.)	Width Min-Max	A (in)	B (in)	C (in)	D (in)
R1T	1	18	3 – 8	13 ⁷ / ₁₆	8	3 ¹ / ₂	1 ¹ / ₂
R3T	3	30	3 – 8	13	10 ¹ / ₂	4 ⁵ / ₈	2 ¹ / ₂
R6T	6	55	4 – 10	17 ⁷ / ₁₆	12	6	3 ¹ / ₂

Green shading reflects rental inventory.



Saflok

Technical Information – Suitable for Beam Flange							
Model	WLL (tons)	Weight (lbs.)	Width Min-Max	A (in)	B (in)	C (in)	D (in)
T20	1	13	3 – 6	10.64	7.99	3.86	1.50
T20W	1	14	4 – 8	13.51	7.99	3.86	1.50
T60	3	26	3 – 6	11.27	10.24	4.77	2.63
T60W	3	32	4 – 8	13.00	10.24	4.77	2.63

Green shading reflects rental inventory.