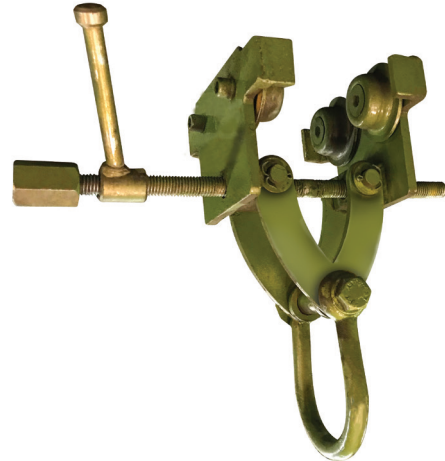
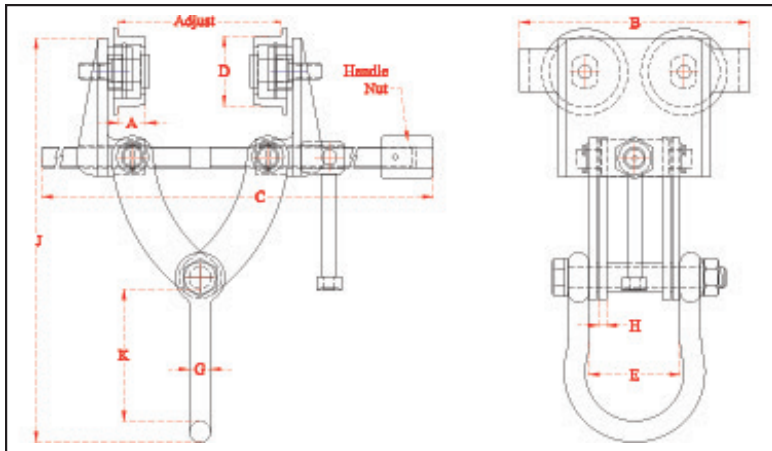


Beam Trolleys | 2,240 – 22,400 Lbs. | BA & B Models | Adjustable Runway

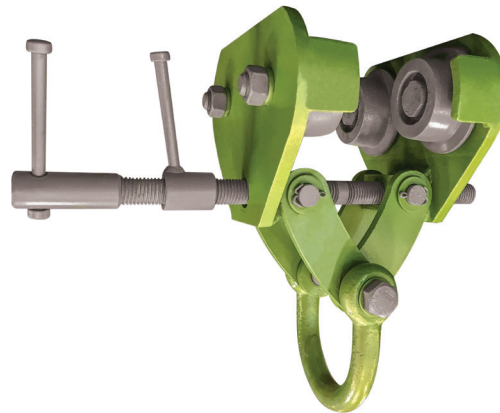
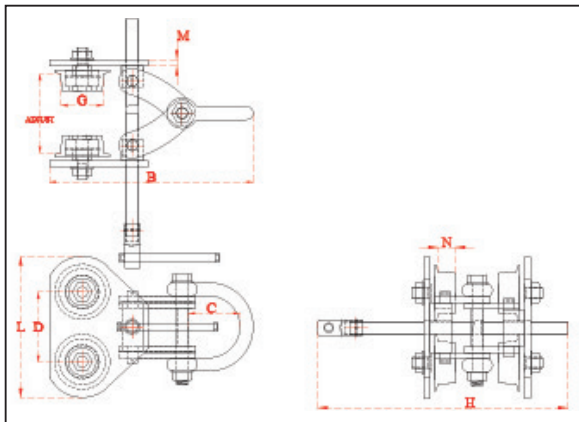


ADJUSTABLE 'SUPERCLAMP' PUSH RUNWAY BEAM TROLLEYS

Incorporating Wheelguarding Anti-Drop Plates, Width Adjusting and Lifting Shackle

| Model | WLL | | Width Adjustment Min-Max (in) | Max Flange Thickness (in) | Dimensions | | | | | | | | | | Weight (lbs.) |
|-------|-------|-------|-------------------------------|---------------------------|------------|--------|--------|--------|--------|--------|--------|--------|--------|--------|---------------|
| | lbs. | kg | | | A (in) | B (in) | C (in) | D (in) | E (in) | G (in) | H (in) | J (in) | K (in) | L (in) | |
| BA1 | 2,240 | 1,016 | 2.5 – 8 | 1 | .55 | 7 | 14 | 1.8 | 2.8 | .63 | .24 | 12 | 4 | 9.6 | 14.3 |
| BA2 | 3,360 | 1,524 | 3 – 8 | 1 | .83 | 7 | 14 | 2.1 | 2.8 | .63 | .24 | 12 | 4 | 9.5 | 15.4 |
| BA3 | 4,480 | 2,032 | 3 – 8 | 1 | .83 | 7 | 14 | 2.1 | 2.8 | .63 | .31 | 12 | 4 | 9.5 | 15.4 |

Green shading reflects rental inventory.



ADJUSTABLE 'SUPERCLAMP' RUNWAY BEAM TROLLEYS

Incorporating Wheelguarding Anti-Drop Plates, Width Adjusting and Lifting Shackle

| Model | WLL | | Width Adjustment Min-Max (in) | Max Flange Thickness (in) | Dimensions | | | | | | | | Weight (lbs.) |
|-------|--------|--------|-------------------------------|---------------------------|------------|--------|--------|--------|--------|--------|--------|--------|---------------|
| | lbs. | kg | | | B (in) | C (in) | D (in) | G (in) | H (in) | L (in) | M (in) | N (in) | |
| B1 | 6,720 | 3,048 | 3 – 8 | 1.1 | 15.6 | 4.4 | 5.24 | 3.2 | 19 | 10.6 | .5 | 1.3 | 52 |
| B2 | 13,440 | 6,096 | 4.0 – 12 | 1.3 | 20.3 | 3.9 | 7 | 4.9 | 22 | 14 | .6 | 1.3 | 110.2 |
| B3 | 22,400 | 10,160 | 6.3 – 12 | 1.5 | 22.4 | 5.1 | 7.9 | 5.7 | 31 | 17 | .6 | 1.6 | 164.2 |

Green shading reflects rental inventory.

Riley (Lifting Equipment) Ltd

All specifications and data relating to capacity, function, performance, size, purpose, or design have been provided by the manufacturer. They have not been independently verified by LGH and LGH makes no representation or warranty as to their accuracy or completeness.

spec sheet 058
October 03, 2023 04:11 PM