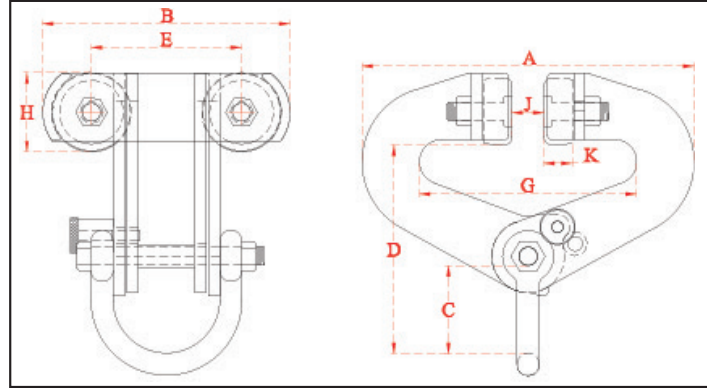


## Beam Trolleys | 6,720 – 44,895 Lbs. | A & GBT Models | Autolock/Adjustable Geared

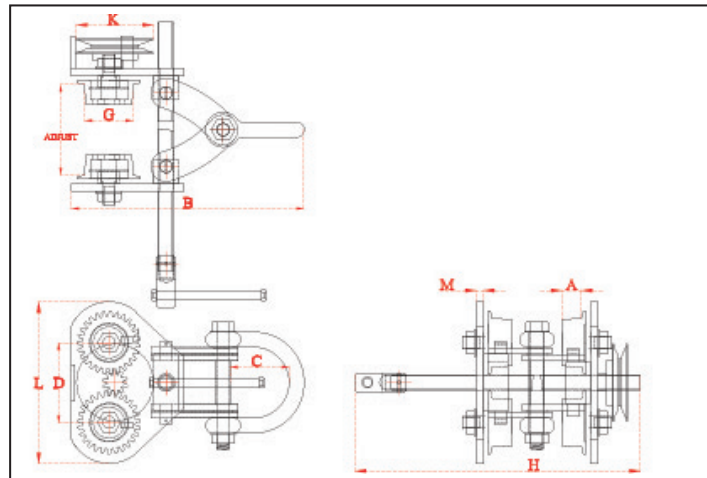


### AUTOLOCK 'SUPERCLAMP' PUSH RUNWAY BEAM TROLLEYS

Incorporating Wheelguarding Anti-Drop Plates, Lifting Shackle

Model	WLL		Max Flange Thickness (in)	Dimensions									Weight (lbs.)
	lbs.	kg		A (in)	B (in)	C (in)	D (in)	E (in)	G (in)	H (in)	J (in)	K (in)	
A1	6,720	3,048	1 1/8	15	11	4.3	9.8	6.7	3-9	3.2	1.2	1.3	46.3
A2	13,440	6,096	1 3/16	19.7	11.7	4.3	11.4	6.7	4-12	3.5	1.6	1.5	72.8
A3	22,400	10,160	1 3/16"	22.8"	11.4"	5.3"	12.2"	6.7"	4"-12"	4.3"	1.6"	1.5"	104.7

*Green shading reflects rental inventory.*



### ADJUSTABLE 'SUPERCLAMP' GEARED RUNWAY BEAM TROLLEYS

Incorporating Wheelguarding Anti-Drop Plates, Width Adjusting and Chain Wheel, Chain, and Lifting Shackle

Model	WLL		Width Adjustment Min-Max (in)	Max Flange Thickness (in)	Dimensions									Weight (lbs.)
	lbs.	kg			A (in)	B (in)	C (in)	D (in)	G (in)	H (in)	K (in)	L (in)	M (in)	
GBT1	6,720	3,048	3-8	1 1/8	1.3	15.6	4.4	5.2	3.2	18.7	5	10.6	.5	68.3
GBT2	13,440	6,096	4-12	1.2	1.3	20.3	4	7	5	22	5	14	.6	127
GBT3	22,400	10,160	6 1/4-12	1.5	1.6	22.4	5	8	5.7	22	6	17	.6	183
GBT4	33,560	15,240	8-18	3	2	34	8	9.7	7.5	31	9	20.2	.8	354
GBT5	44,800	20,320	8"-18"	3"	2"	38.2"	9"	11.5"	8.7"	31"	9"	24"	.8"	440

*Green shading reflects rental inventory.*

**Riley (Lifting Equipment) Ltd**

All specifications and data relating to capacity, function, performance, size, purpose, or design have been provided by the manufacturer. They have not been independently verified by LGH and LGH makes no representation or warranty as to their accuracy or completeness.

spec sheet 059  
October 03, 2023 02:04 PM