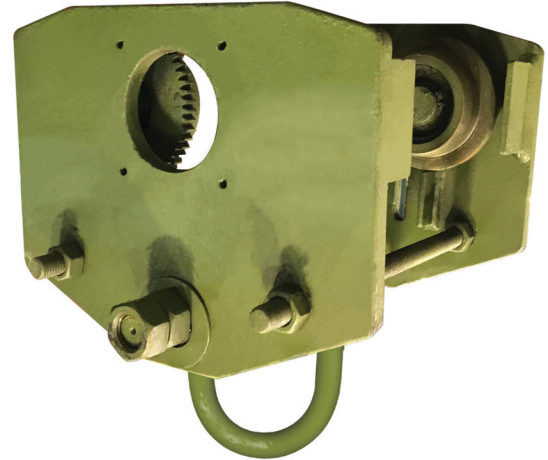
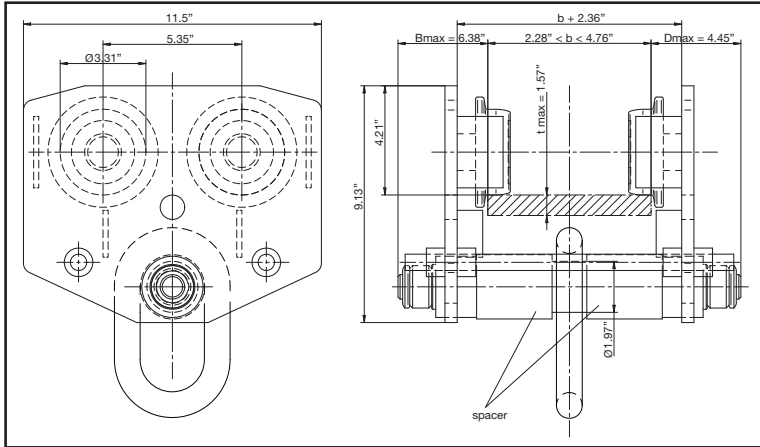


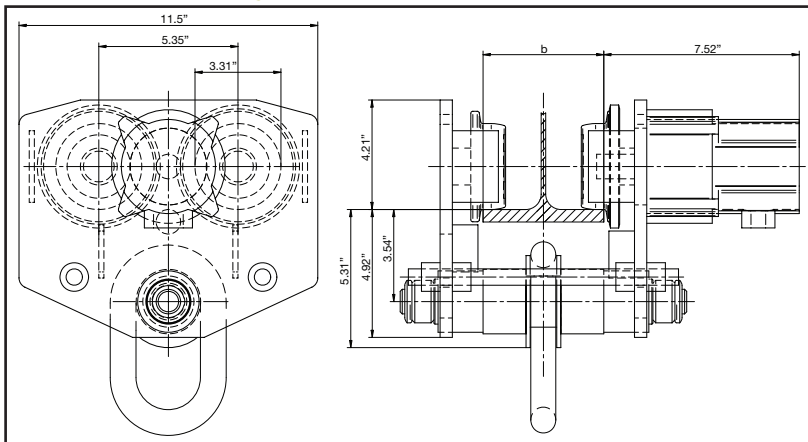
Beam Trolleys | 1–3 Ton | JDN Model | Push/Motorized Trolley

1 – 3 Ton Model

1–3T Push Trolley



1–3T Motorized Trolley



1–3T Trolley Pins			
Model	Bottom Flange Width Range (in)	Tip-to-Tip Pin Length (in)	Shoulder-to-Shoulder Dimension (in)
Pin I	2.28 – 4.76	11	4.65
Pin II	4.80 – 7.04	13 ¼	7.17
Pin III	7.08 – 9.80	16	9.45
Pin IV	9.84 – 12.20	18 ½	12.20

1–3T	
Trolley Type	Weight (lbs)
Push	57.2
Motor	72.6

Green shading reflects rental inventory.