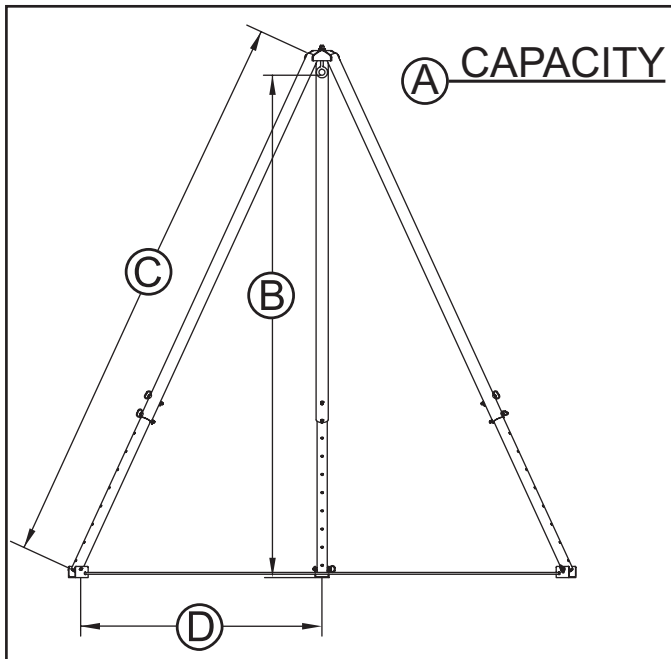


Aluminum Tripod | 2 Ton | Adjustable Aluminum Tripod

Tripods

Quick, easy setup for heavy lifting in outdoor areas with no overhead support. Independently, adjustable legs permit use on uneven ground and adjust on six inch center. Standard lashing kit, included with every tripod, prevents legs from spreading on hard or soft surfaces.



Specifications							
A Capacity (Tons)	B Height: Eyebolt to Floor		C Overall Length		D Dimension Between Legs		Weight (lbs.)
	Max	Min	Max	Min	Max	Min	
2	11'2"	6'10"	13'0"	8'0"	11'9"	7'7"	120

Green shading reflects rental inventory.