

Snatch Blocks | 2 – 8 Ton | 418 & 419 | Single Sheave (Hook & Shackle Top)

New Improved Light Champion

- Forged alloy heat treated hooks.
- Forged steel swivel tees, yokes and shackles.
- Hook and shackle assemblies on 4-1/2" through 14" sizes can be interchanged.
- Can be furnished with bronze bushing or roller bearings.
- Opening feature permits insertion of rope while block is suspended from gin-pole.
- 3" thru 18", 418 and 419 blocks have exclusive bolt retaining spring to assure no lost bolts.
- Can be furnished with S-4320 hook latch.
- Pressure lube fittings.
- 3" – 10" feature dual rated wireline sheaves.
- Fatigue rated.

418 With Hook

419 With Shackle

404 Tail Board


Specifications

Sheave Diameter (in.)	Bearing Code	Stock No.			Wire Rope Size (in.)	Working Load Limit (ton)*	Weight Each (lbs.)			Rep. Sheave Stock No.	Rep. Latch Stock No.
		418 with hook	419 with shackle	404 Tail Board			418 with hook	419 with shackle	404 Tail Board		
** 3	BB	—	109091	—	5/16 – 3/8	2	—	4	—	460147	—
** 3	BB	108038	109037†	102016	5/16 – 3/8	2	5	4	3	460147	1096421
** 4 1/2	BB	108065	109064	102025	3/8 – 1/2	4	12	12	7	2000232	1096468
6	BB	108127	109126	102098	5/8 – 3/4	8	27	28	15	460815	1096562
8	BB	108225	109224	102169	5/8 – 3/4	8	33	34	21	461164	1096562
10	BB	108323	109322	102230	5/8 – 3/4	8	41	42	29	461805	1096562
12	BB	169169	202961	178890	5/8	8	48	49	36	462270	1096562
12	BB	108421	109420	102301	3/4	8	48	49	36	462289	1096562
16	BB	108608	109607	—	7/8	15	130	135	—	4100065	1096609

*Ultimate Load is 4 times the working load limit.

**Available in Bronze Bushed only. 3" and 4 1/2" have self-lubricating Bronze Bushing.

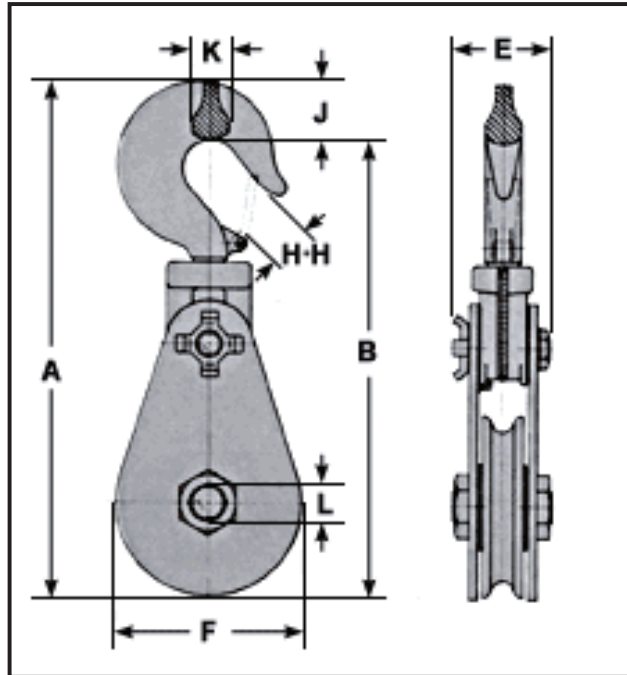
† Fitted with 1 1/4" ID Swivel Eye.

‡ May be furnished in other rope sizes.

Note: When ordering, please specify: size, block number, hook or shackle, bronze bushed or roller bearing, and wire rope size.

Green shading reflects rental inventory.

Snatch Blocks | 2 – 8 Ton | SB Series | Single Sheave (Hook Top)



Specifications												
Model	Standard Wire Rope Size	Maximum Allow	Weight	Overall Length A	Net Length B	Thickness E	Width F	Throat Opening		Hook Thickness J	Hook Width K	Center Pin Dia. L
								No Latch H	Light Duty H			
2-TON 1-SHEAVE SNATCH BLOCKS, WITH HOOK, 3 INCHES												
SB2S3BH	5/16 – 3/8	3/8	5	10.48	9.48	2.72	3.2	1.09	1.03	1.00	.75	.75
4-TON 1-SHEAVE SNATCH BLOCKS, WITH HOOK, 4-14 INCHES												
SB4S4BH	3/8 – 1/2	3/4	15	14.79	12.94	3.63	4.76	1.41	1.28	1.85	1.13	1
SB4S6BH	3/8 – 1/2	3/4	19	16.97	15.12	3.63	6.26	1.41	1.28	1.85	1.13	1.00
8-TON 1-SHEAVE SNATCH BLOCKS, WITH HOOK, 6-14 INCHES												
SB8S6BH	5/8 – 3/4	1	27	19.08	17.02	4.02	6.24	1.88	2.06	2.06	1.38	1.50
SB8S8BH	5/8 – 3/4	7/8	32	21.08	19.02	4.02	8.2	1.88	1.53	2.06	1.38	1.50
SB8S8RH	5/8 – 3/4	7/8	34	21.08	19.02	4.02	8.24	1.88	1.53	2.06	1.38	1.50
SB8S10BH	5/8 – 3/4	3/4	41	23.08	21.02	4.02	10.24	1.88	1.53	2.06	1.38	1.50

Green shading reflects rental inventory.