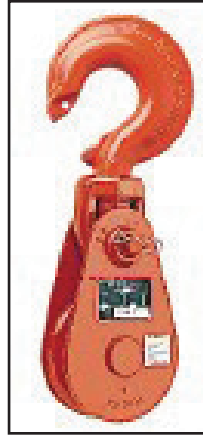
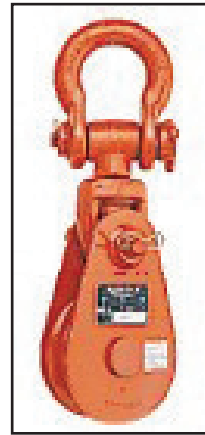


## Snatch Blocks | 12 Ton | 416 & 417 Alloy | Single Sheave (Hook & Shackle Top)

### All Alloy Snatch Blocks

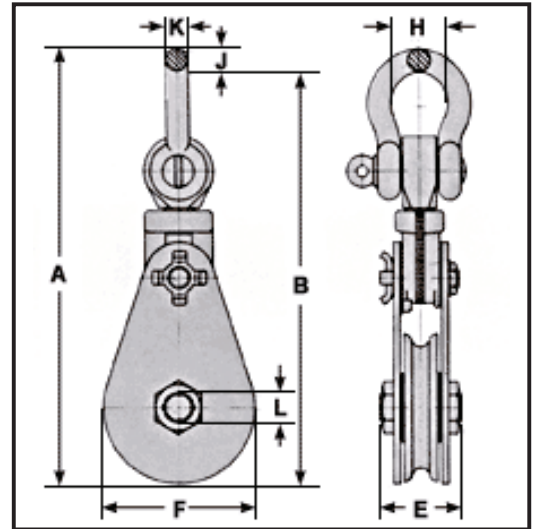
- Entire block made from heat treated alloy steel. Use of heat treated alloy gives block only 60% of the weight of blocks of comparable capacities.
- Available with a bronze bushed or roller bearing sheaves.
- Easy opening feature of "Champion" blocks retained.
- Hook and shackle assemblies can be interchanged.
- Pressure lube fittings.
- Can be furnished with S-4320 hook latch.
- Blocks furnished with dual rated wireline sheaves.
- Fatigue Rated.

**416 With Hook**

**417 With Shackle**

**402 Tailboard**


Specifications											
Sheave Diameter (in.)	Bearing Code	Stock No.			Wire Rope Size (in.)	Working Load Limit (ton)*	Weight Each (lbs.)			Rep. Sheave Stock No.	Rep. Latch Stock No.
		416 Alloy with hook	417 Alloy with shackle	402 Alloy Tail Board			416 Alloy with hook	417 Alloy with shackle	402 Alloy Tail Board		
6	BB	193427	168972	179238	3/4 – 7/8	12	26	27	15	460824	1096609

\*Ultimate Load is 4 times the Working Load Limit.

## Snatch Blocks | 2 – 12 Ton | SB Series | Single Sheave (Shackle Top)


**SB 2S 3BS**
**SB 4S 4BS**
**SB 8S 8BS**
**SB 12S 8BS**


Specifications											
Model	Standard Wire Rope Size	Maximum Allow	Weight	Overall Length A	Net Length B	Thickness E	Width F	Inside Width H	Shackle Thickness J	Shackle Width K	Center Pin Dia. L
<b>2 TON 1-SHEAVE SNATCH BLOCKS, WITH SHACKLE, 3 INCHES</b>											
SB 2S 3BS	5/16 – 3/8	3/8	5	9.90	9.40	2.72	3.20	1.25	0.50	0.44	0.75
<b>4 TON 1-SHEAVE SNATCH BLOCKS, WITH SHACKLE, 4-14 INCHES</b>											
SB 4S 4BS	3/8 – 1/2	3/4	16	14.68	13.80	3.63	4.76	2.00	0.88	0.88	1.00
SB 4S 6BS	3/8 – 1/2	3/4	21	16.86	15.98	3.63	6.26	2.00	0.88	0.88	1.00
SB 4S 8BS	3/8 – 1/2	3/4	26	18.86	17.98	3.63	8.26	2.00	0.88	0.88	1.00
SB 4S 10BS	3/8 – 1/2	3/4	35	20.92	20.04	3.63	10.26	2.00	0.88	0.88	1.25
<b>8 TON 1-SHEAVE SNATCH BLOCKS, WITH SHACKLE, 6-14 INCHES</b>											
SB 8S 6BS	5/8 – 3/4	1	29	19.18	18.18	4.02	6.24	2.31	1.00	1.00	1.50
SB 8S 8BS	5/8 – 3/4	7/8	37	21.18	20.18	4.02	8.24	2.31	1.00	1.00	1.50
SB 8S 10BS	5/8 – 3/4	3/4	43	23.18	22.18	4.02	10.24	2.31	1.00	1.00	1.50
SB 8S 12BS	5/8 – 3/4	7/8	54	25.21	24.21	4.02	12.18	2.31	1.00	1.00	1.50
<b>12 TON 1-SHEAVE SNATCH BLOCKS, WITH SHACKLE, 6-16 INCHES</b>											
SB 12S 6BS	3/4 – 7/8	1 1/8	51	22.25	21.00	4.85	6.68	2.87	1.25	1.25	2.00
SB 12S 8BS	3/4 – 7/8	1 1/8	61	23.81	22.56	4.85	8.24	2.87	1.25	1.25	2.00
SB 12S 10BS	3/4 – 7/8	1 1/8	74	25.81	24.56	4.85	10.24	2.87	1.25	1.25	2.00

Green shading reflects rental inventory.