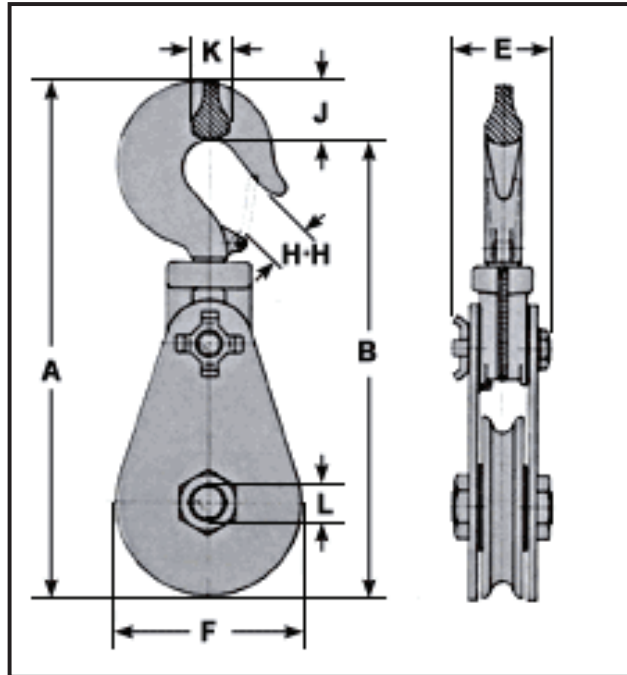


## Snatch Blocks | 2 – 8 Ton | SB Series | Single Sheave (Hook Top)



Specifications												
Model	Standard Wire Rope Size	Maximum Allow	Weight	Overall Length A	Net Length B	Thickness E	Width F	Throat Opening		Hook Thickness J	Hook Width K	Center Pin Dia. L
								No Latch H	Light Duty H			
<b>2-TON 1-SHEAVE SNATCH BLOCKS, WITH HOOK, 3 INCHES</b>												
SB2S3BH	5/16 – 3/8	3/8	5	10.48	9.48	2.72	3.2	1.09	1.03	1.00	.75	.75
<b>4-TON 1-SHEAVE SNATCH BLOCKS, WITH HOOK, 4-14 INCHES</b>												
SB4S4BH	3/8 – 1/2	3/4	15	14.79	12.94	3.63	4.76	1.41	1.28	1.85	1.13	1
SB4S6BH	3/8 – 1/2	3/4	19	16.97	15.12	3.63	6.26	1.41	1.28	1.85	1.13	1.00
<b>8-TON 1-SHEAVE SNATCH BLOCKS, WITH HOOK, 6-14 INCHES</b>												
SB8S6BH	5/8 – 3/4	1	27	19.08	17.02	4.02	6.24	1.88	2.06	2.06	1.38	1.50
SB8S8BH	5/8 – 3/4	7/8	32	21.08	19.02	4.02	8.2	1.88	1.53	2.06	1.38	1.50
SB8S8RH	5/8 – 3/4	7/8	34	21.08	19.02	4.02	8.24	1.88	1.53	2.06	1.38	1.50
SB8S10BH	5/8 – 3/4	3/4	41	23.08	21.02	4.02	10.24	1.88	1.53	2.06	1.38	1.50

*Green shading reflects rental inventory.*