



THE LIFTING EXPERTS

(800) 878-7305 www.RentLGH.com Rentals@RentLGH.com

Snatch Blocks | 2 – 12 Ton | SB Series | Single Sheave (Shackle Top)

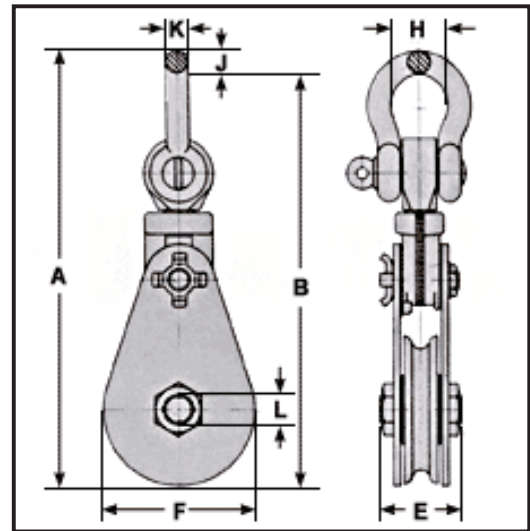


SB 2S 3BS

SB 4S 4BS

SB 8S 8BS

SB 12S 8BS



Specifications

Model	Standard Wire Rope Size	Maximum Allow	Weight	Overall Length A	Net Length B	Thickness E	Width F	Inside Width H	Shackle Thickness J	Shackle Width K	Center Pin Dia. L
2 TON 1-SHEAVE SNATCH BLOCKS, WITH SHACKLE, 3 INCHES											
SB 2S 3BS	5/16 – 3/8	3/8	5	9.90	9.40	2.72	3.20	1.25	0.50	0.44	0.75
4 TON 1-SHEAVE SNATCH BLOCKS, WITH SHACKLE, 4-14 INCHES											
SB 4S 4BS	3/8 – 1/2	3/4	16	14.68	13.80	3.63	4.76	2.00	0.88	0.88	1.00
SB 4S 6BS	3/8 – 1/2	3/4	21	16.86	15.98	3.63	6.26	2.00	0.88	0.88	1.00
SB 4S 8BS	3/8 – 1/2	3/4	26	18.86	17.98	3.63	8.26	2.00	0.88	0.88	1.00
SB 4S 10BS	3/8 – 1/2	3/4	35	20.92	20.04	3.63	10.26	2.00	0.88	0.88	1.25
8 TON 1-SHEAVE SNATCH BLOCKS, WITH SHACKLE, 6-14 INCHES											
SB 8S 6BS	5/8 – 3/4	1	29	19.18	18.18	4.02	6.24	2.31	1.00	1.00	1.50
SB 8S 8BS	5/8 – 3/4	7/8	37	21.18	20.18	4.02	8.24	2.31	1.00	1.00	1.50
SB 8S 10BS	5/8 – 3/4	3/4	43	23.18	22.18	4.02	10.24	2.31	1.00	1.00	1.50
SB 8S 12BS	5/8 – 3/4	7/8	54	25.21	24.21	4.02	12.18	2.31	1.00	1.00	1.50
12 TON 1-SHEAVE SNATCH BLOCKS, WITH SHACKLE, 6-16 INCHES											
SB 12S 6BS	3/4 – 7/8	1 1/8	51	22.25	21.00	4.85	6.68	2.87	1.25	1.25	2.00
SB 12S 8BS	3/4 – 7/8	1 1/8	61	23.81	22.56	4.85	8.24	2.87	1.25	1.25	2.00
SB 12S 10BS	3/4 – 7/8	1 1/8	74	25.81	24.56	4.85	10.24	2.87	1.25	1.25	2.00

Green shading reflects rental inventory.