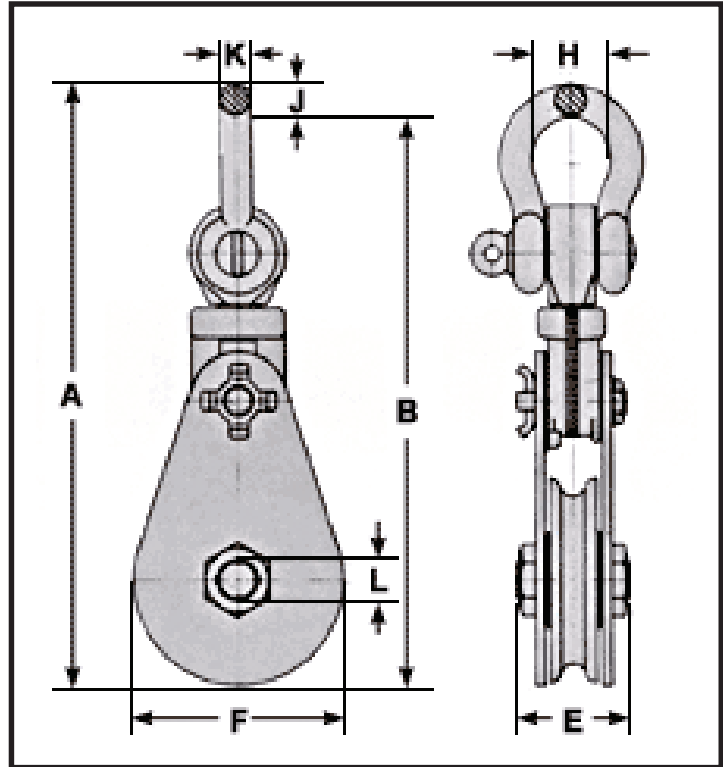


Snatch Blocks | 15 – 30 Ton | SB Series | Single Sheave (Shackle Top)


SB 22S 8BS


Specifications											
Model	Standard Wire Rope Size	Maximum Allow	Weight	Overall Length A	Net Length B	Thickness E	Width F	Inside Width H	Shackle Thickness J	Shackle Width K	Center Pin Dia. L
15 TON 1-SHEAVE SNATCH BLOCKS, WITH SHACKLE, 8-16 INCHES											
SB 15S 12BS	3/4 – 7/8	1 1/8	95	27.81	26.56	4.85	12.24	2.87	1.25	1.25	2.50
20 TON 1-SHEAVE SNATCH BLOCKS, WITH SHACKLE, 8-18 INCHES											
B 20S 8BS	1 – 1 1/8	1 1/8	95	28.78	27.15	5.83	8.24	4.00	1.63	1.63	2.25
22 TON 1-SHEAVE SNATCH BLOCKS, WITH SHACKLE, 8-14 INCHES											
SB22S8BS*	1 – 1 1/8	1 1/8	102	29.875	28.125	5.312	8.625	4.875	1.750	1.750	2.250
SB22S12BS*	1 – 1 1/8	1 1/4	131	33.750	32	5.312	12.500	4.875	1.750	1.750	2.250
SB22S14BS*	1 – 1 1/8	1 3/8	149	35.875	34.125	5.312	14.500	4.875	1.750	1.750	2.250
30 TON 1-SHEAVE SNATCH BLOCKS, WITH SHACKLE, 20-24 INCHES											
SB 30S 20BS	1 1/8 – 1 1/4	1 3/8	296	44.26	42.64	5.80	20.24	4.00	1.63	1.63	3.50

Green shading reflects rental inventory.
*Item is not available for sale.