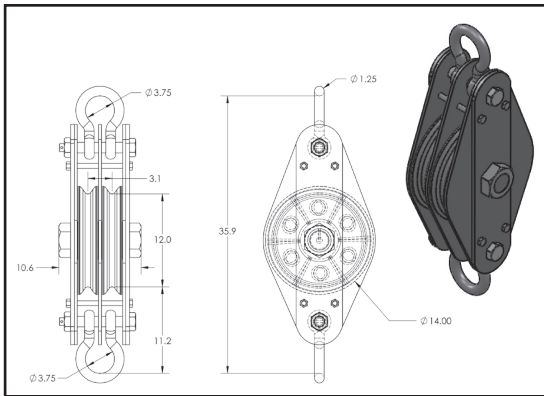
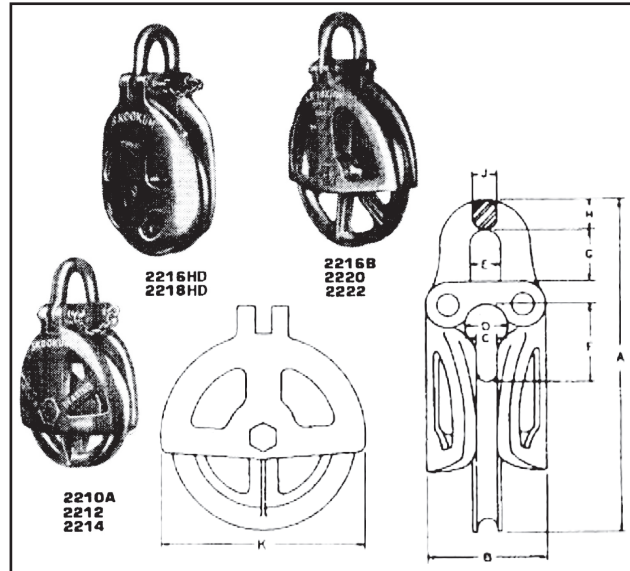
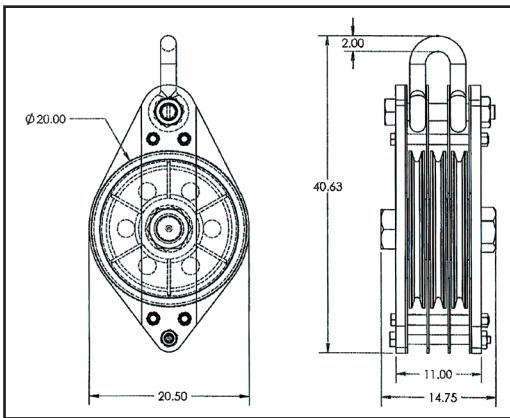
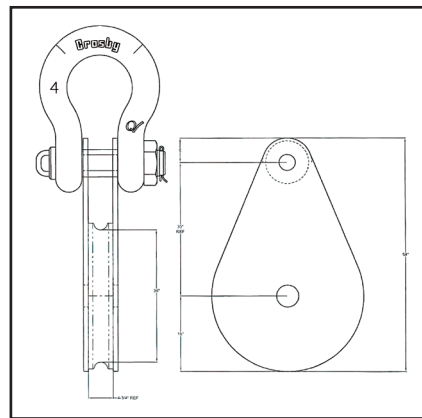


Sheave Blocks | 60 Ton Triple Sheave (Shackle Top) | 25 & 150 Ton Single Sheave (Shackle Top)

20 Ton Double Sheave Block

25 Ton Heavy Duty Block

60 Ton Sheave Block

150 Ton Sheave Block


Specifications

Make	Sheave	Model	Sheave Dia. (in)	Weight (lbs)	Wire Rope Range (in)
20 Ton Double Sheave Block					
Skookum	Double Shackle	2MN-BB-LS-B5	14	250	1
25 Ton Heavy Duty Block					
Skookum	Single Shackle	2216B	16	150	1 1/8 - 1 1/4
60 Ton Sheave Block					
Skookum	Triple Shackle	-	20	650	1 1/4
150 Ton Sheave Block					
McKissick	Single Shackle	-	36	2,400	3

Green shading reflects rental inventory.