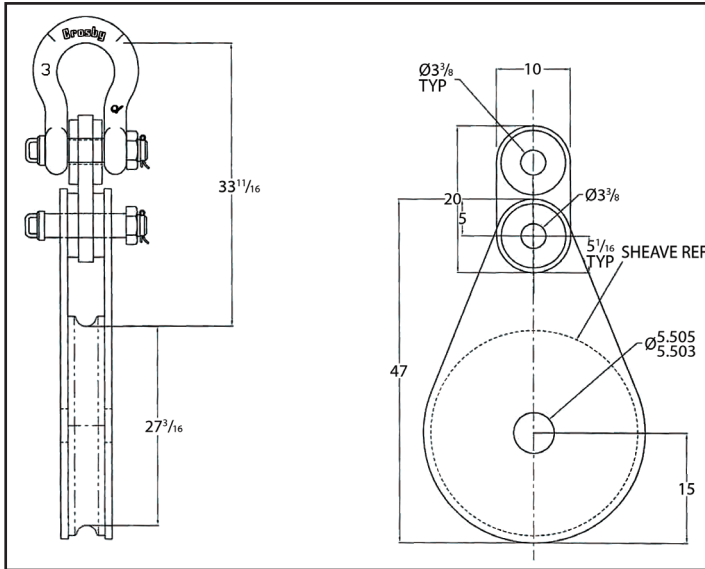
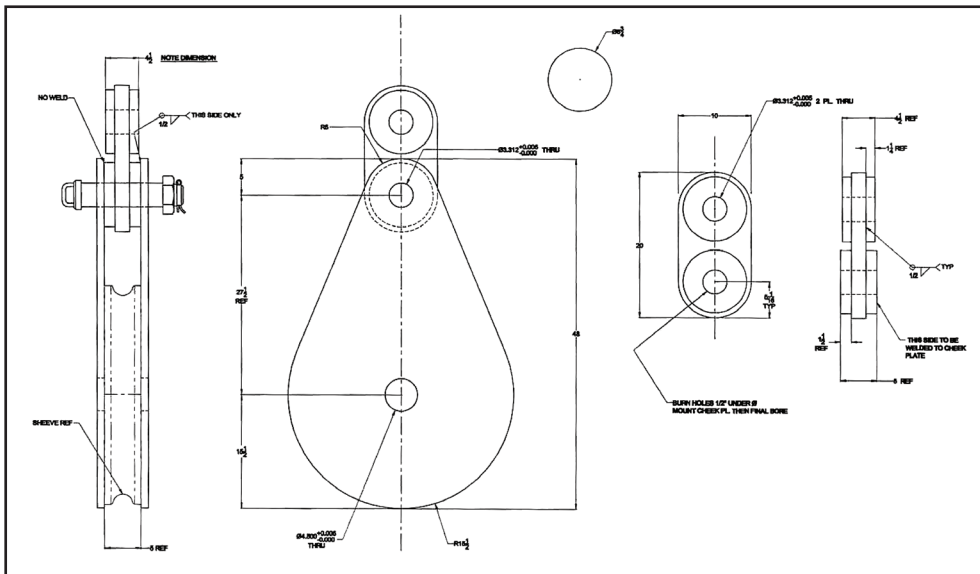


Sheave Blocks | 75 & 120 Ton Single Sheave (Shackle Top)

75 Ton Sheave Block



120 Ton Sheave Block



Specifications

Sheave	Sheave Dia.	Weight	Wire Rope
75 Ton Sheave Block			
Single Shackle	28"	1,400 lbs.	2 1/4"
120 Ton Sheave Block			
Single Shackle	30"	1,800 lbs.	2 3/4"

Green shading reflects rental inventory.