

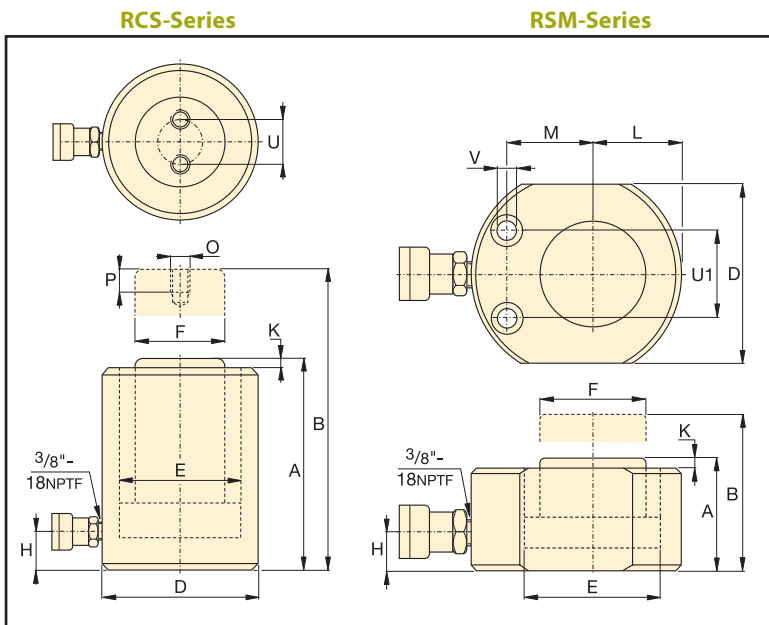
## Hydraulic Cylinders | 10 – 100 Ton | RSM & RCS Series | Single Acting - Spring Return - Low Profile

**NOTE:** Additional sizes available for rent. Consult LGH for availability.

Model  
RSM1000



Model  
RCS1002



### Specifications

Cylinder Cap. Tons (Max)	Stroke (in.)	Model	Cylinder Effective Area (in <sup>2</sup> )	Oil Cap. (in <sup>3</sup> )	A Collapsed Height (in.)	B Extended Height (in.)	D Outside Diameter (in.)	E Cylinder Bore Diameter (in.)	F Plunger Diameter (in.)	H Base to Advance Port (in.)	K Plunger Protrusion from Base (in.)	L Plunger to Base (in.)	M Plunger to Mtg. Hole (in.)	Weight (lbs.)
10 (11.2)	.44	RSM-100	2.24	.98	1.69	2.13	3.25 x 2.19	1.69	1.50	.75	.04	1.09	1.34	3.1
20 (22.1)	.44	RSM-200	4.43	1.94	2.03	2.47	4.00 x 3.00	2.38	2.00	.75	.04	1.56	1.56	6.8
30 (32.4)	.50	RSM-300	6.49	3.25	2.31	2.81	4.63 x 3.75	2.88	2.50	.75	.08	1.88	1.75	10
50 (48.1)	.63	RSM-500	9.62	6.01	2.63	3.25	5.50 x 4.50	3.50	2.75	.75	.08	2.25	2.13	15
75 (79.5)	.63	RSM-750	15.90	9.94	3.13	3.75	6.50 x 5.50	4.50	3.25	.75	.08	2.75	2.63	25
100 (98.1)	.63	RSM-1000	19.63	12.27	3.38	4.00	7.00 x 6.00	5.00	3.63	.75	.08	3.00	2.94	32
150 (153.4)	.63	RSM-1500	30.68	19.17	3.94	4.56	8.50 x 7.50	6.25	4.50	.94	.08	3.75	3.25	58
10 (11.2)	1.50	RCS-101	2.24	3.35	3.47	4.97	2.75	1.69	1.50	.69	.20	—	—	6
20 (22.1)	1.75	RCS-201	4.43	7.75	3.88	5.63	3.63	2.38	2.00	.69	.13	—	—	11
30 (32.4)	2.44	RCS-302	6.49	15.82	4.63	7.06	4.00	2.88	2.62	.75	.13	—	—	15
50 (48.1)	2.38	RCS-502	9.62	22.85	4.81	7.19	4.88	3.50	2.75	.94	.08	—	—	22
100 (98.1)	2.25	RCS-1002	19.63	44.18	5.56	7.81	6.50	5.00	3.63	1.25	.06	—	—	46

\*RSM-50 is fitted with an AR-400 coupler.  
Green shading reflects rental inventory.