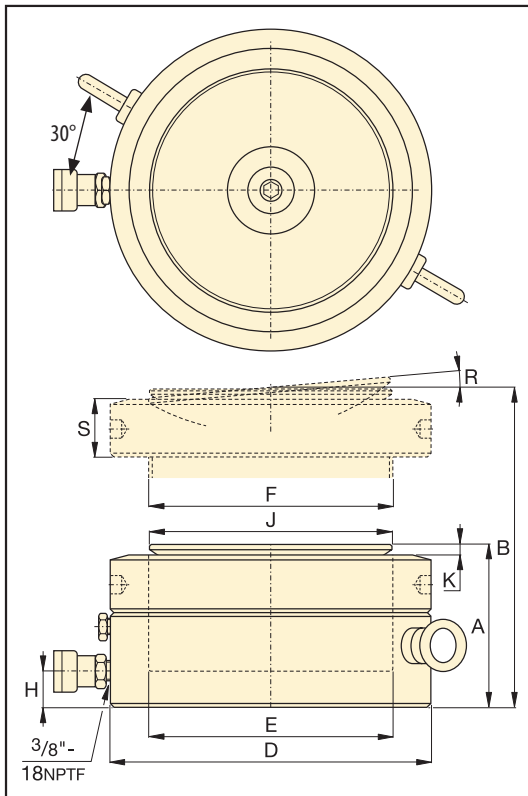


Hydraulic Cylinders | 60 – 600 Ton | CLP Series | Single Acting - Load Return - Pancake - Lock Nut

CLP-4002, CLP-5002 (shown)

Model CLP-5002



Note: These cylinders have tilt saddles.



⚠ ALL CLP-SERIES CYLINDERS REQUIRE A SOLID LIFTING SURFACE FOR CORRECT SUPPORT.

USE OF PANCAKE CYLINDERS ON SURFACES SUCH AS SAND, MUD OR DIRT MAY RESULT IN CYLINDER DAMAGE!

❌ WRONG! Rough soil

✅ RIGHT! Flat lifting surface

For more safety instructions see our "Yellow Pages".

Specifications

Cylinder Cap. Tons (Max)	Stroke (in.)	Model	Cylinder Effective Area (in. ²)	Oil Cap. (in. ³)	A Collapsed Height (in.)	B Extended Height (in.)	D Outside Diameter (in.)	E Cylinder Bore Diameter (in.)	F Plunger Diameter (mm)	H Base to Advance Port (in.)	J Saddle Diameter (in.)	K Saddle Protrusion from Plunger (in.)	R Saddle Max. Tilt Angle	S Lock Nut Height (in.)	Weight (lbs.)
60 (67.1)	1.97	CLP-602	13.42	26.42	4.92	6.89	5.51	4.13	Tr 104 x 4	.75	3.78	.24	5°	1.10	33
100 (113.7)	1.97	CLP-1002	22.75	44.78	5.39	7.36	6.89	5.38	Tr 136 x 6	.83	4.96	.31	5°	1.22	57
160 (179.2)	1.77	CLP-1602	35.85	63.51	5.83	7.60	8.66	6.76	Tr 171 x 6	1.06	6.30	.35	5°	1.57	97
200 (221.3)	1.77	CLP-2002	44.27	78.43	6.10	7.87	9.65	7.51	Tr 190 x 6	1.18	7.09	.39	5°	1.69	125
250 (284.2)	1.77	CLP-2502	56.85	100.72	6.26	8.03	10.83	8.51	Tr 216 x 6	1.26	7.87	.43	5°	1.73	163
500 (566.2)	1.77	CLP-5002	113.25	200.63	7.56	9.33	15.75	12.01	Tr 305 x 6	1.89	11.42	.39	3°	2.44	416
600	2	CLP6002D101ID	1327	265	9.89	11.89	16.93	n/a	n/a	2.07	12.20	.45	3°	2.70	630

Green shading reflects rental inventory.

NOTE: Additional sizes available for rent. Consult LGH for availability.