



**THE LIFTING EXPERTS**

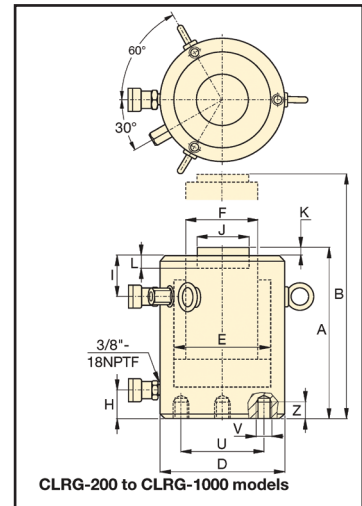
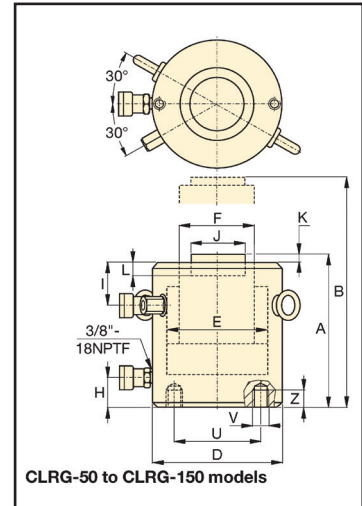
(800) 878-7305    www.RentLGH.com    Rentals@RentLGH.com

## Hydraulic Cylinders | 50 – 600 Ton | CLRG Series | Double Acting

Model CLRG-6006



Model CLRG-506



Base Mounting Hole Dimensions (in.)			
Model/Capacity (ton)	Bolt Circle U	Thread Size V (mm)	Minimum Thread Depth Z
CLRG-50	2.56	M12	.87
CLRG-100	3.74	M12	.87
CLRG-150	5.12	M12	.87
CLRG-200	6.50	M12	.87
CLRG-600	10.83	M24	1.50

Specifications																			
Cylinder capacity (tons)	Stroke (in.)	Model Number	Maximum Cylinder Capacity (tons)		Cylinder Effective Area (in.2)		Oil Capacity (in.3)		A Collap. Height (in.)	B Ext. Height (in.)	D Outside Diam. (in.)	E Cyl. Bore Diam. (in.)	F Plunger Diam. (in.)	H Base to Advance Port (in.)	I Top to Retract Port (in.)	J Standard Saddle Diam. (in.)	K Saddle Protrusion from Plngr (in.)	L Depth of Plunger Hole (in.)	Weight (lbs.)
			Push	Pull	Push	Pull	Push	Pull											
50	5.91	CLRG-506	59.1	29	11.81	5.85	69.75	34.52	10.31	16.22	5.12	3.88	2.76	1.65	1.29	1.97	.04	.75	51
	5.91	CLRG-1006	102.9	48	20.57	9.59	121.50	56.61	11.09	17.00	6.50	5.12	3.74	2.13	1.89	2.95	.04	.75	88
100	11.81	CLRG-10012	102.9	48	20.57	9.59	242.99	113.23	17.00	28.81	6.50	5.12	3.74	2.13	1.89	2.95	.04	.75	157
200	5.91	CLRG-2006	206.1	98	41.22	19.68	243.40	116.23	12.44	18.35	9.25	7.24	5.24	2.62	2.22	4.45	.04	.94	201
300	5.91	CLRG-3006	353.6	117	70.71	23.46	417.56	138.55	16.22	22.13	12.20	9.49	7.76	3.98	2.95	6.97	.04	.75	511
600	5.91	CLRG-6006	662.9	229	132.57	45.79	782.90	270.39	20.83	26.73	16.93	12.99	10.51	4.49	5.31	9.72	.12	1.06	1246

Green shading reflects rental inventory.

