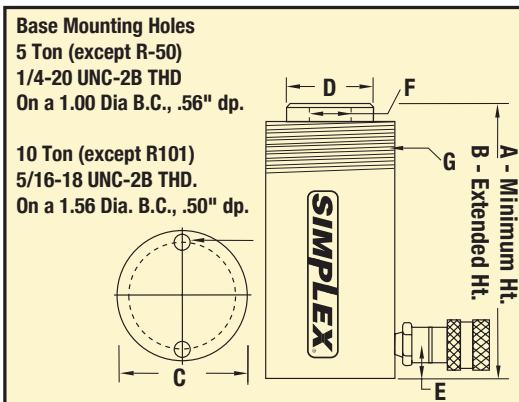
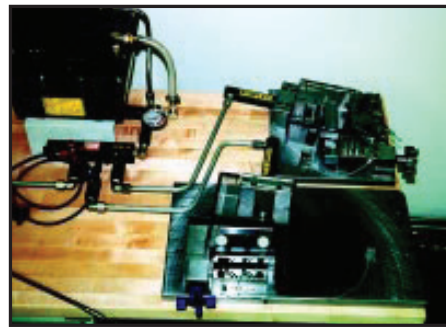


## Hydraulic Cylinders | 5 – 10 Ton | R Series | Single Acting - Spring Return

**Model R-108**


Specifications																	
Model	Cap. (tons)	Stroke (in.)	Oil Cap. Req'd (cu. in.)	Ram Bore Dia. (in.)	Effect Area (sq. in.)	Pres. @ Cap. (psi)	A	B	C	D	E	F		G		Wgt. (lbs.)	Sugstd. Hand Pump
							Min. Ht. (in.)	Ext. Ht. (in.)	Body O.D. (in.)	Piston O.D. (in.)	Base to Port C/L (in.)	Piston I.D. Thrds (in.)	Piston Thrds Depth (in.)	Collar Thrds (in.)	Collar Thrd Lgth (in.)		
R55	5	5.13	4.97	1.13	.99	10,000	8.52	13.65	1.5	1.0	0.75	0.75 --16	0.75	1.5 --16	1.13	4.1	P42
R102	10	2.19	4.18	1.69	2.24	8,945	4.78	6.97	2.25	1.50	0.75	1 --8	0.75	2.25 --14	1.13	5.1	P42
R104	10	4.19	9.2	1.69	2.24	8,945	6.78	10.97	2.25	1.50	0.75	1 --8	0.75	2.25 --14	1.13	7.2	P42
R106	10	6.0	13.7	1.69	2.24	8,929	9.78	15.78	2.25	1.50	0.75	1 --8	0.75	2.25 --14	1.13	9.8	P42
R108	10	8.0	17.89	1.69	2.24	8,929	11.78	19.78	2.25	1.50	0.75	1 --8	0.75	2.25 --14	1.13	12	P42
R1010	10	10.0	22.65	1.69	2.24	8,929	13.78	23.78	2.25	1.50	0.75	1 --8	0.75	2.25 --14	1.13	14	P42
R1014	10	14.0	31.31	1.69	2.24	8,929	17.78	31.78	2.25	1.50	0.75	1 --8	0.75	2.25 --14	1.06	18	P42

Green shading reflects rental inventory.