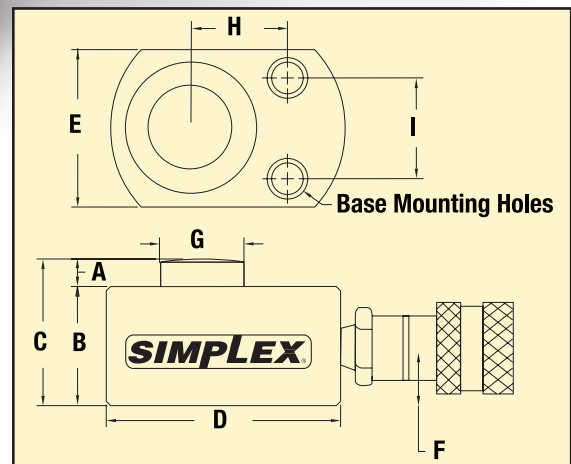


Hydraulic Cylinders | 5 – 150 Ton | RFS Series | Single Acting - Spring Return - Low-Profile

Model RFS-30


Mounting Hole Dimensions			
Capacity	H (in.)	I (in.)	Base Mounting Hole Dimensions (in.)
5 Ton	1	1 1/8	7/32 through x 29/64 C Bore (1/4 Deep)
10 Ton	1 11/32	1 13/32	9/32 through x 29/64 C Bore (3/16 Deep)
20 Ton	1 3/16	1 15/16	29/64 through x 3/8 Bore (29/64)

Specifications														
Model	Capacity (tons)	A Stroke (in.)	B Min. Ht. (in.)	C Ext Ht. (in.)	Ram Bore Dia. (in.)	Effect Area (sq. in.)	Pres. @ cap. (psi)	Oil Cap. Req'd (cu.in.)	D Body O.D. (in.)	E Piston O.D. (in.)	F Base To Port C/L (in.)	G Piston O.D. Spring Ret. (in.)	Weight (lbs.)	Sugstd. Hand Pump
RFS10	10	7/16	1 11/16	2 1/8	1 11/16	2.24	8,940	1.0	3 3/4	2 3/16	3/4	3/4	3.3	P41/P71
RFS20	20		2 1/32	2 15/32	2 3/8	4.43	9,030	1.9	4	3		1 1/8	6.0	
RFS30	30	1/2	2 3/16	2 13/16	2 7/8	6.49	9,250	3.2	4 1/2	3 3/4		1 3/8	8.5	P42/P72
RFS50	50	3/8	2 3/8	3 1/4	3 1/2	9.62	10,400	6.0	5 1/2	4 1/2	1 3/4	14.3		
RFS75	75		3 3/8	3 3/4	4 1/2	15.90	9,440	10.0	6 1/2	5 1/2	2 1/8	24.5		
RFS100	100		3 3/8	4	5	19.63	10,200	12.3	7	6	2 1/2	31.0		
RFS150	150	9/16	3 15/16	4 1/2	6 1/4	30.66	9,785	17.2	8 1/2	7 1/2	5/16	3	50.5	

Green shading reflects rental inventory.