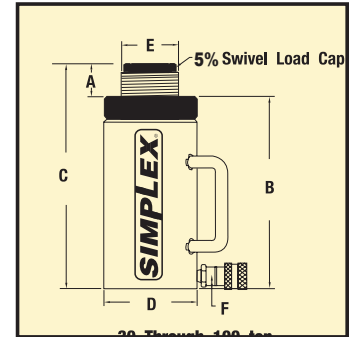
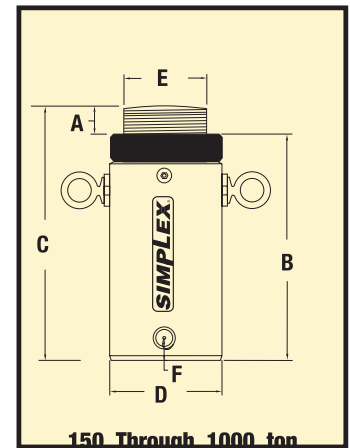


Hydraulic Cylinders | 30 – 200 Ton | RLN Series | Single Acting - Load Return - Lock Nut


Model RLN-302


Note: 100 ton models have removable lifting eye bolts in lieu of carrying handles.



Specifications

Model	Capacity (tons)	A Stroke (in.)	B Min. Ht. (in.)	C Ext. Ht. (in.)	Ram Bore Dia. (in.)	Effect Area (sq. in.)	Pres. @ Cap. (psi)	Oil Cap. Req'd (cu. in.)	D Body O.D. (in.)	E Piston O.D. (in.)	F Base To Port C/L (in.)	Weight (lbs.)
RLN302	30	2	6 3/8	8 3/8	2 7/8	6.49	9,240	13.0	4	2 7/16	3/4	21.0
RLN502	50	2	6 3/4	8 3/4	3 3/4	11.05	9,054	22.1	5	3 3/16	25/32	38.0
RLN506		6	10 3/4	16 3/4	3 3/4			66.2				63.0
RLN1006	100	6	12	18	55	19.63	10,200	118.0	6 3/8	4 5/16	1 1/4	132.0
RLN10010		10	16	26				196.0				202.0
RLN2006	200	6	13 1/2	19 1/2	7 1/4	41.28	9,054	265.0	10	6 9/16	2 1/16	332.0

Green shading reflects rental inventory.