



THE LIFTING EXPERTS

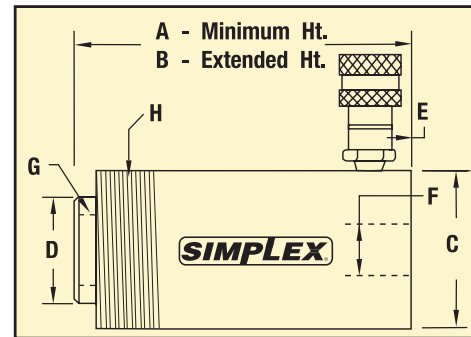
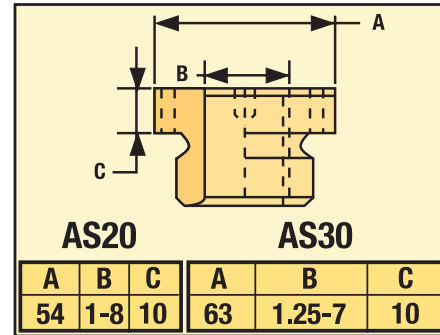
(800) 878-7305 www.RentLGH.com Rentals@RentLGH.com

Hydraulic Cylinders | 30 – 60 Ton | RC Series | Single Acting - Spring Return - Center Hole

Model RC-306



Base Mounting Holes			
Capacity	Thread		Bolt Circle Dia. (in.)
	Size (in.)	Depth (in.)	
12 Ton	5/16 - 18	7/16	2
20 Ton	3/8 - 16	7/16	3 1/4
30 Ton	3/8 - 16	3/8	3 3/8
60 Ton	1/2 - 13	7/16	5 1/8
100 Ton	5/8 - 11	3/4	7



Specifications

Model	Cap. (tons)	Stroke (in.)	A Min. Ht. (in.)	B Ext. Ht. (in.)	Effect Area (sq. in.)	Pres.@ Cap. (psi)	Oil Cap. Req'd (cu. in.)	C Body O.D. (in.)	D Piston O.D. (in.)	E Base To Port C/L (in.)	F Center Hole Dia. (in.)	H		G		Weight (lbs.)
												Collar Thrds. (in.)	Collar Thrd. Lgth. (in.)	Piston Thrds. (in.)	Piston Thrd. Lgth. (in.)	
RC302	30	2 1/2	7	9 1/2	7.22	8310	18.05	5	2 1/2	3/16	1 5/16	4 1/2 - 12	1 3/4	1 13/16 - 16	7/8	24
RC306		6 1/8	12 1/4	18 3/8												
RC603	60	3	8 21/32	11 21/32	12.73	9426	38.29	6 3/4	4	3/16	2 1/8	6 1/4 - 12	2	2 3/4 - 16	3/4	62
RC606		6	12 21/32	18 21/32												

Green shading reflects rental inventory.

