

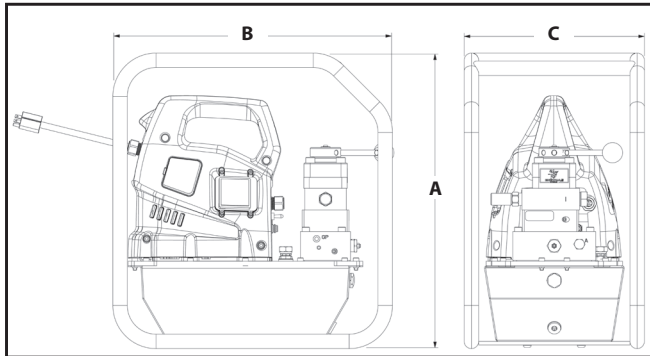
Electric Hydraulic Pumps | 10,000 PSI | ZU Series | Single (with Vacu Valve) / Double Acting



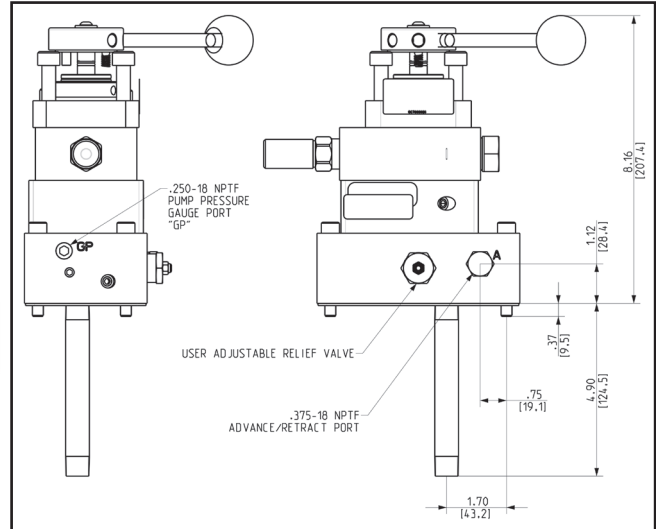
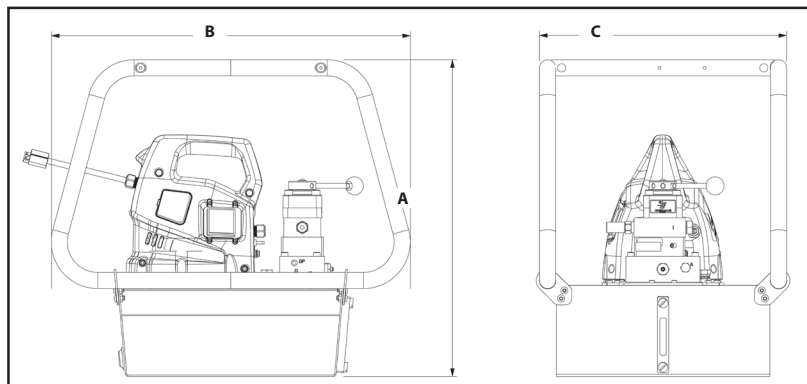
5 Gallon

2 Gallon

2 Gallon Model



5 & 10 Gallon Models



ZU4 Performance

| Motor Size (hp) | Output Flow Rate (in.3/min) | | | | Motor Electrical Specification (volts-ph-Hz) | Sound Level (dBA) | Relief Valve Adjustment Range (psi) |
|-----------------|-----------------------------|---------|----------|------------|--|-------------------|-------------------------------------|
| | 100 psi | 700 psi | 5000 psi | 10,000 psi | | | |
| 1.7 | 700 | 535 | 76 | 60 | 115-1 ⁵⁰ / ₆₀ 230-1 ⁵⁰ / ₆₀ | 85-90 | 2,000-10,000 |

Dimensions

| Model | Usable Reservoir Capacity (gal) | A | B | C |
|----------|---------------------------------|--------|--------|--------|
| ZU4608RB | 2 | 20.37" | 19.27" | 12.50" |
| ZU4620RB | 5 | 24.56" | 27.88" | 19.18" |
| ZU4640RB | 10 | 28.1" | 27.9" | 19.2" |

Green shading reflects rental inventory.

New Venturi Valves – Assisted Return for Single Acting Cylinders

Venturi valves improve the reaction speed of single-acting, spring and load return cylinders by up to three times. Venturi valves create a vacuum-like effect in a pump system; drawing the oil from the cylinder back to the pump's reservoir at a much faster rate which increases the retraction speed of the plunger by up to three times.

Recommended for High Tonnage Cylinders

Venturi valves are an excellent choice for improving the efficiency of high tonnage cylinders.