



THE LIFTING EXPERTS

(800) 878-7305 www.RentLGH.com Rentals@RentLGH.com

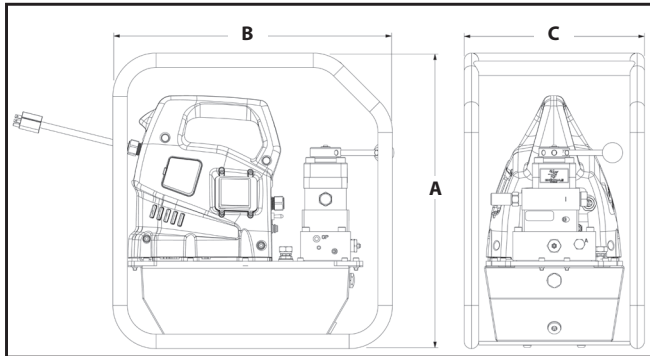
Electric Hydraulic Pumps | 10,000 PSI | ZU Series | Single (with Vacu Valve) / Double Acting



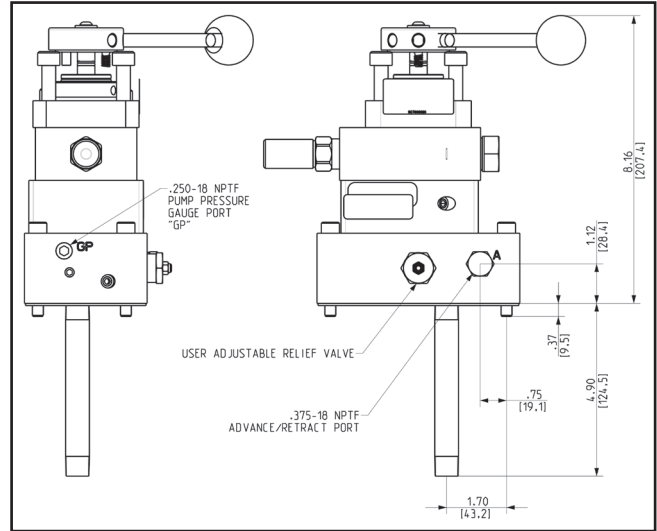
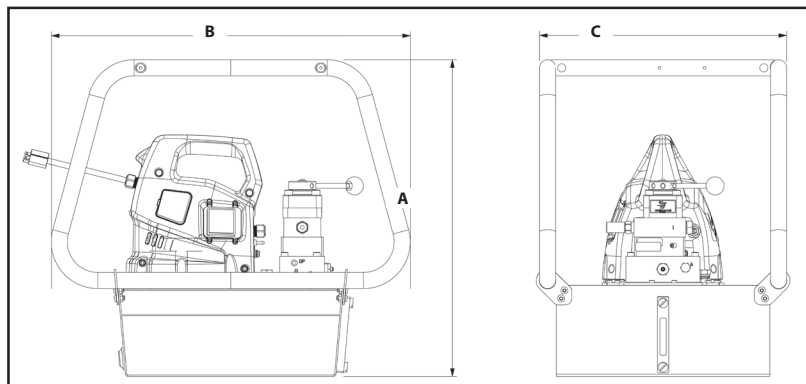
5 Gallon

2 Gallon

2 Gallon Model



5 & 10 Gallon Models



ZU4 Performance								
Motor Size (hp)	Output Flow Rate (in.3/min)				Motor Electrical Specification (volts-ph-Hz)	Sound Level (dBA)	Relief Valve Adjustment Range (psi)	
	100 psi	700 psi	5000 psi	10,000 psi				
1.7	700	535	76	60	115- ¹⁵⁰ / ₆₀ 230- ¹⁵⁰ / ₆₀	85-90	2,000-10,000	

Dimensions				
Model	Usable Reservoir Capacity (gal)	A	B	C
ZU4608RB	2	20.37"	19.27"	12.50"
ZU4620RB	5	24.56"	27.88"	19.18"
ZU4640RB	10	28.1"	27.9"	19.2"

Green shading reflects rental inventory.

New Venturi Valves – Assisted Return for Single Acting Cylinders

Venturi valves improve the reaction speed of single-acting, spring and load return cylinders by up to three times. Venturi valves create a vacuum-like effect in a pump system; drawing the oil from the cylinder back to the pump's reservoir at a much faster rate which increases the retraction speed of the plunger by up to three times.

Recommended for High Tonnage Cylinders

Venturi valves are an excellent choice for improving the efficiency of high tonnage cylinders.

