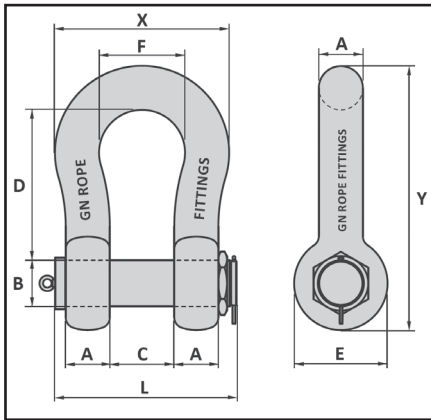
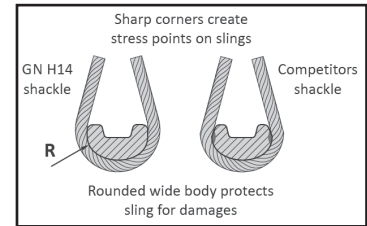
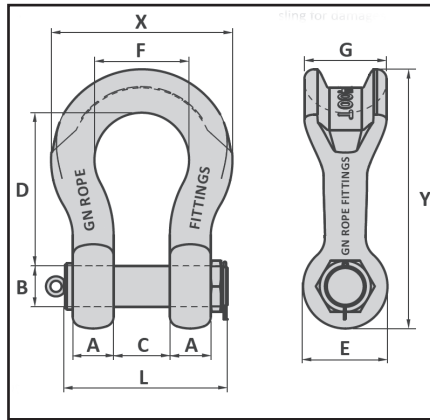


Shackles | 75 - 700 Ton | Bolt Type - Alloy Bolt Type - Wide Body

Bolt Type Shackle



Wide Body Shackle



Dimensions

Working Load Limit (ton)	Type	Weight (lbs.)	Dimensions (in.)										
			A	B	C	D	E	F	G	L	R	X	Y
75	Wide Body	117	2 ¹⁵ / ₁₆	2 ¹ / ₄	4 ³ / ₁₆	11 ¹³ / ₁₆	5 ²⁹ / ₃₂	7 ⁷ / ₃₂	4 ²³ / ₃₂	13 ¹⁹ / ₃₂	2 ¹ / ₈	13 ¹³ / ₃₂	19 ⁹ / ₃₂
125	Wide Body	185	3 ¹¹ / ₃₂	3 ³ / ₃₂	5 ¹ / ₂	14 ⁹ / ₁₆	6 ¹ / ₂	8 ²¹ / ₃₂	5 ²⁹ / ₃₂	15 ⁹ / ₁₆	3 ³ / ₃₂	14 ³¹ / ₃₂	22 ¹⁵ / ₁₆
150	Wide Body	254	3 ⁹ / ₁₆	3 ³ / ₄	5 ²⁹ / ₃₂	15 ³ / ₄	7 ⁷ / ₈	9 ²⁷ / ₃₂	6 ¹¹ / ₁₆	16 ¹⁷ / ₃₂	3 ⁹ / ₁₆	16 ⁷ / ₈	25 ¹ / ₈
150	Bolt Type	353	4	4 ¹ / ₄	6 ¹¹ / ₁₆	15 ³ / ₄	9 ¹ / ₁₆	10 ¹³ / ₁₆	—	18 ¹¹ / ₁₆	—	18 ⁷ / ₈	26 ¹³ / ₃₂
175	Alloy-Bolt Type	331	4	4 ¹ / ₄	5 ¹ / ₂	15 ³ / ₄	9 ¹ / ₁₆	9 ²⁷ / ₃₂	—	17 ⁹ / ₁₆	—	17 ²³ / ₃₂	26 ¹¹ / ₃₂
300	Wide Body	881	5 ¹ / ₂	5 ⁹ / ₃₂	7 ¹¹ / ₁₆	23 ³ / ₈	11 ¹ / ₃₂	13 ²⁵ / ₃₂	10 ⁷ / ₁₆	22 ²⁷ / ₃₂	5 ¹ / ₂	24 ²² / ₃₂	37 ⁹ / ₃₂
400	Wide Body	1259	6 ⁹ / ₁₆	6 ³ / ₁₆	9 ¹ / ₁₆	24 ¹³ / ₃₂	13	14 ⁹ / ₁₆	12 ¹⁹ / ₃₂	25 ²⁵ / ₃₂	6 ¹¹ / ₁₆	27 ¹ / ₈	40 ³ / ₄
400	Alloy-Bolt Type	1235	6 ¹ / ₂	6 ⁷ / ₈	9 ¹ / ₁₆	26 ²⁵ / ₃₂	13 ²⁵ / ₃₂	12 ¹³ / ₁₆	—	26 ³ / ₁₆	—	25 ²⁵ / ₃₂	43 ⁵ / ₈
500	Wide Body	1585	6 ¹¹ / ₁₆	7 ³ / ₃₂	10 ⁷ / ₁₆	26 ²⁵ / ₃₂	13 ²⁵ / ₃₂	17 ²³ / ₃₂	13 ³ / ₈	27 ¹⁵ / ₁₆	7 ³ / ₃₂	30 ¹¹ / ₁₆	44 ⁹ / ₃₂
600	Alloy-Bolt Type	1940	7 ¹¹ / ₁₆	8 ¹ / ₁₆	11 ⁷ / ₃₂	27 ⁹ / ₁₆	15 ¹⁵ / ₁₆	14 ³ / ₄	—	32 ³ / ₃₂	—	30 ¹ / ₈	47 ¹ / ₄
600	Wide Body	2116	7 ³ / ₃₂	7 ⁷ / ₈	11 ¹³ / ₃₂	28 ¹¹ / ₃₂	15 ¹⁵ / ₁₆	19 ⁹ / ₃₂	14 ⁹ / ₁₆	31 ⁹ / ₁₆	7 ¹⁵ / ₃₂	33 ¹¹ / ₃₂	47 ³ / ₄
700	Wide Body	2976	8 ¹ / ₄	8 ¹⁵ / ₃₂	12 ¹⁹ / ₃₂	30 ²³ / ₃₂	18 ⁵ / ₁₆	21 ¹ / ₄	15 ³ / ₄	34 ²¹ / ₃₂	8 ¹ / ₄	37 ¹¹ / ₁₆	52 ³ / ₈

Green shading reflects rental inventory.