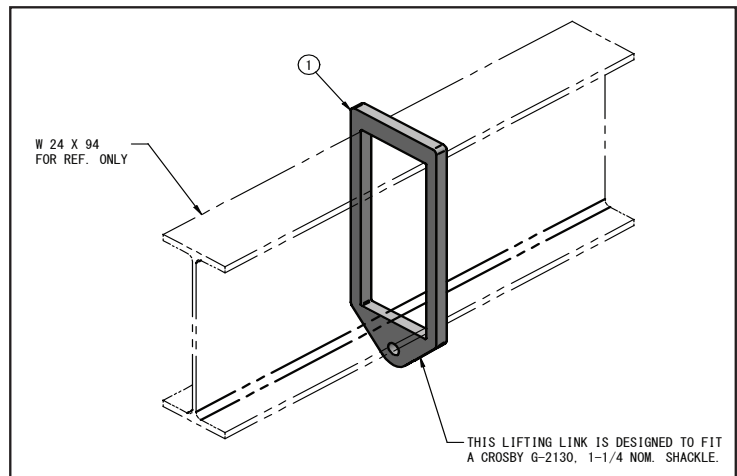
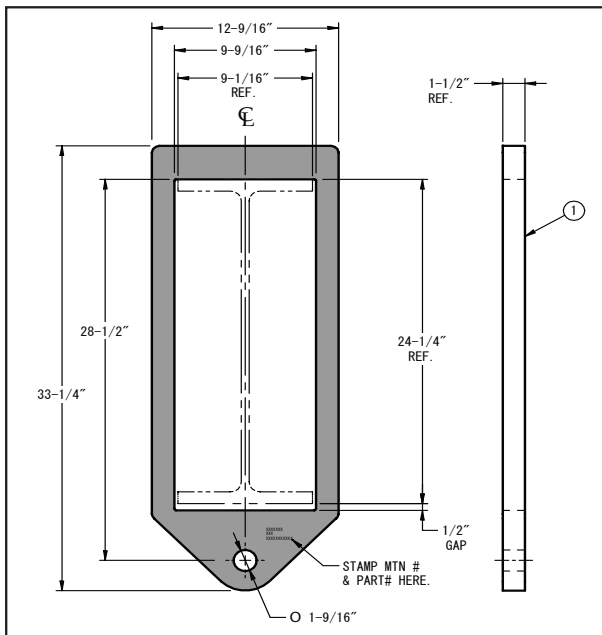


Lifting Link | 10 Ton

These 10 ton Lifting Links can **ONLY** Be used with W24 x 94 Gantry Beams that are supplied by LGH

General notes:

1. Welding per AWS D1.1, D14.1, 1997. All weld process unless otherwise noted – FCAW
2. Break all sharp edges and corners unless otherwise specified approx 1/8
3. Design of structural, performance, & safety as per ASME/ANSI B30.20 & BTH-1 2005. Serviceclass 0 design category B. Design temp. 0 Deg F – 150 deg F.
4. Rated capacity of this device shall be 20,000 lbs.
5. Estimated unit weight of this device shall be 63 lbs.
6. Measurements of length to be in inches unless otherwise noted.
7. Testing shall be performed as per BLP procedure & ASME B30.20, to 1.25x rated capacity.
8. Data plates/decals or stamps shall be placed on device as per B30.20-2006 in locations as shown.
9. Request all MTR's w/chemistry, mechanical & testing reports.



Specifications

Model	Capacity (Tons)	Weight (Lbs.)
LIFT LINK 10-T	10	63