



THE LIFTING EXPERTS

(800) 878-7305

www.RentLGH.com

Rentals@RentLGH.com

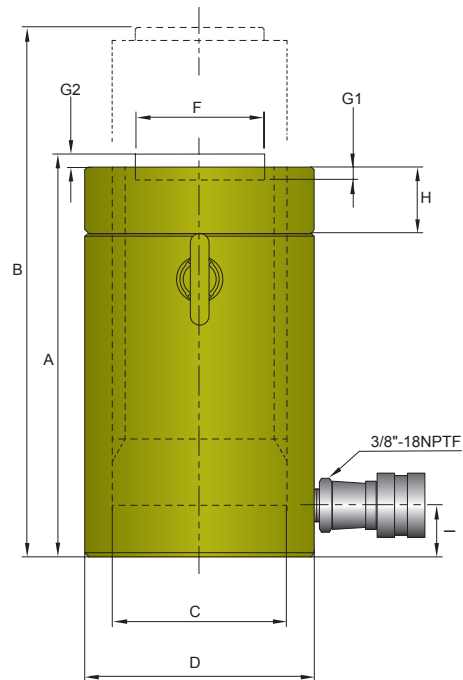
Hydraulic Cylinders | 55 Ton | HLN Series | Lock Nut

Model HLN5506



Specifications					
Model	Capacity (Tons)	Stroke (In.)	Cylinder Effective Area (In. ²)	Oil Capacity (In. ³)	Weight (Lbs.)
HLN5502	55	1.97	10.99	21.65	34.0
HLN5506		5.91		64.90	55.0
HLN5508		7.87		86.54	66.0
HLN5510		9.84		108.17	77.0
HLN5512		11.81		129.80	87.0

Green shading reflects rental inventory.



Dimensions									
Model	Collapsed Height A (in.)	Extended Height B (in.)	Cylinder Bore C (in.)	Outside Dia. D (in.)	Saddle Dia. F (in.)	Depth of Rod Hole G1 (in.)	Saddle Protrusion From Rod G2 (in.)	Lock Nut Length H (in.)	Base to Inlet Port I (in.)
HLN5502	6.50	8.40	3.70	4.90	2.80	0.51	0.08	1.40	1.10
HLN5506	10.40	16.30	3.70	4.90	2.80	0.51	0.08	1.40	1.10
HLN5508	12.40	20.20	3.70	4.90	2.80	0.51	0.08	1.40	1.10
HLN5510	14.30	24.20	3.70	4.90	2.80	0.51	0.08	1.40	1.10
HLN5512	16.30	28.10	3.70	4.90	2.80	0.51	0.08	1.40	1.10

Green shading reflects rental inventory.

