

## Electric Hydraulic Pumps | 10,000 PSI | ZE5 Series | Single (with Vacu Valve) / Double Acting

### Model ZE5

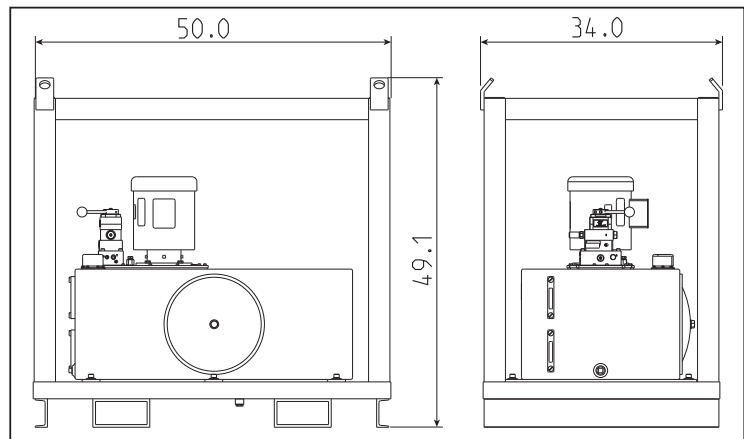
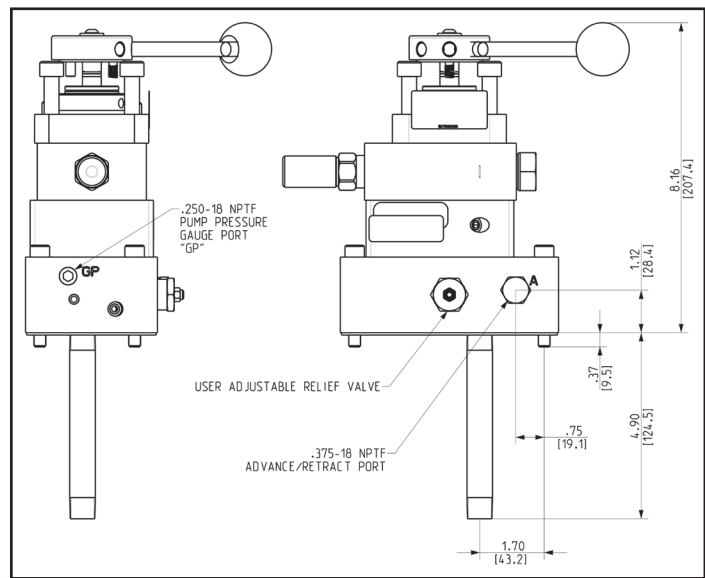


#### New Venturi Valves – Assisted Return for Single Acting Cylinders

Venturi valves improve the reaction speed of single-acting, spring and load return cylinders by up to three times. Venturi valves create a vacuum-like effect in a pump system; drawing the oil from the cylinder back to the pump's reservoir at a much faster rate which increases the retraction speed of the plunger by up to three times.

#### Recommended for High Tonnage Cylinders

Venturi valves are an excellent choice for improving the efficiency of high tonnage cylinders.



#### Challenge:

- Retraction Speed of Single-Acting High Tonnage Cylinders
- Spring Return Designs – Slower than Desired Retraction Speed
- Load Return Designs – once the load is removed, cylinders will not fully retract without additional equipment to force the plunger back into the base of the cylinder

#### Solution:

Venturi valves create a vacuum-like effect on the system, drawing the oil from the cylinder back to the pump's reservoir at a much faster rate which increases the retraction speed of the plunger by up to three times.

### Specifications

Motor Size (HP)	Output Flow Rate (in <sup>3</sup> /min)				Motor Electrical Specification (volts-ph-Hz)	Sound Level (dBA)	Relief Valve Adjustment Range (psi)	Useable Reservoir Capacity (gal)	Weight (lbs.)
	100 psi	700 psi	5000 psi	10,000 psi					
3.0	850	825	123	120	230-3 <sup>50</sup> / <sub>60</sub>	75	1000-10,000	40	1172

*Green shading reflects rental inventory.*

All specifications and data relating to capacity, function, performance, size, purpose, or design have been provided by the manufacturer. They have not been independently verified by LGH and LGH makes no representation or warranty as to their accuracy or completeness.