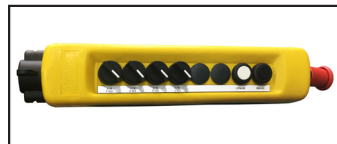


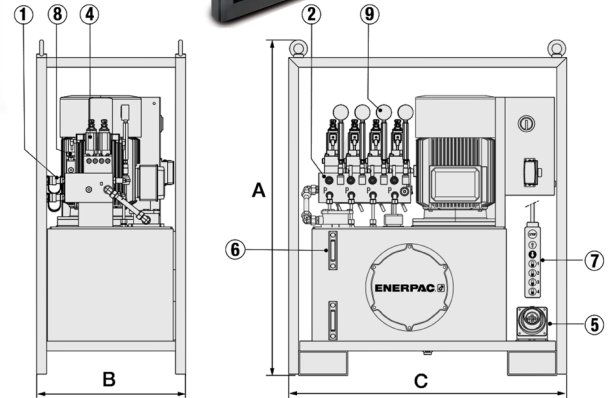
Electric Hydraulic Split Flow Pump | 10,000 PSI | SFP Series | Single / Double Acting

SFP 421MJ and SFP 421SJ



Remote Control Pendant

Split-Flow Pumps with solenoid valves include a remote pendant with selector switches for each individual outlet, allowing single or multiple cylinder operation.



1. Manifold with split-flow outlets and CR-400 couplers
2. Adjustable pressure relief valve per circuit
3. Manual 4/3 control valves with joysticks
4. Solenoid 4/3 control valves (24 VDC)
5. Power Receptacle
6. Oil sight gauge(s)
7. Remote control pendant with 30 ft. cord
8. Flow control valve
9. Hydraulic gauge

3-Phase									
Number of Split Flow Outlets	Reservoir Size (gal)	Oil Flow per Outlet @10,000 psi (in./min)	Pump Model Number 4/3 Valve Operation Advance/Hold/Retract		Motor Size 460 V - 3ph (hp)	Dimensions (in.)			Weight (lbs.)
			Manual (Joysticks)	24 Solenoid (Pendant)		A	B	C	
4	40	153	SFP 421MJ	SFP 421SJ	15	54.0	23.8	44.5	1160

Green shading reflects rental inventory.

All specifications and data relating to capacity, function, performance, size, purpose, or design have been provided by the manufacturer. They have not been independently verified by LGH and LGH makes no representation or warranty as to their accuracy or completeness.

spec sheet 275

October 06, 2023 01:20 PM