



THE LIFTING EXPERTS

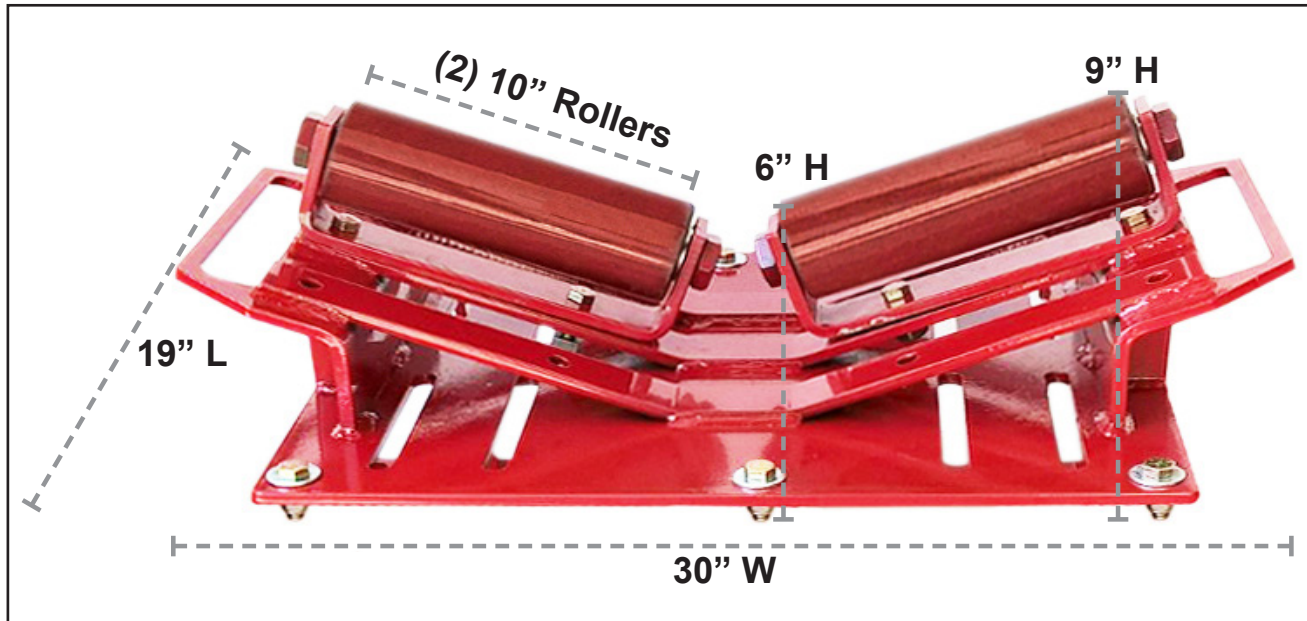
(800) 878-7305

www.RentLGH.com

Rentals@RentLGH.com

Rack Rollers | 10,000 lbs. | 4" – 48" | Model 2125

Model PN 2125



Specifications					
Model	Description	Pipe Capacity (in.)	Capacity (lbs.)	Weight (lbs.)	Dimensions (in.) L x W x H
PN 2125	Beam Clamp Roller (Two Rollers)	4 – 48	10,000	129	19 x 30 x 6 - 9

Green shading reflects rental inventory.

Product Features:

- Pipe capacity: 4" – 48"
- Weight capacity: 10,000 lbs.
- Shipping weight: 129 lbs.
- Dimensions: 19" L x 30" W x 6"-9"H
- 2 Urethane-over-steel 10" wheels with sealed bearings.
- All wheels and housings are replaceable
- Carry handles
- Power coated safety red
- Safety harness included
- Safety harness must be used when in operation

