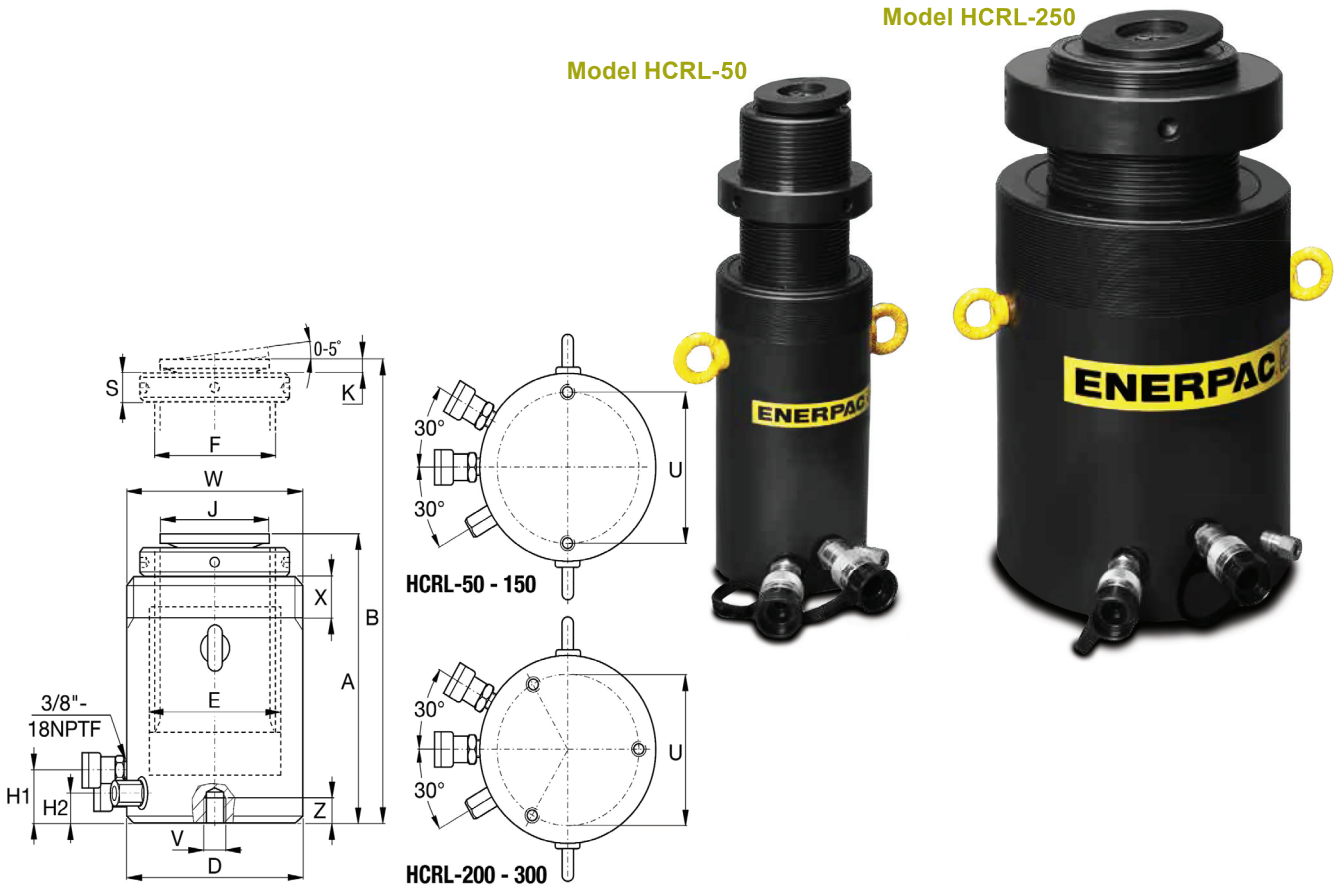


# Hydraulic Cylinders | 50 – 300 Ton | HCRL Model | Double Acting – Locknut

**Model HCRL-250**
**Model HCRL-50**


Base Mounting Holes			
Model/ Capacity (ton)	U Bolt Circle (in.)	V Thread Size (mm)	Z Minimum Thread Depth (in.)
HCRL-50	4.13	M12 x 1.75	.087

The collar thread length is designed for the full rated cylinder capacity.

Collar Thread		
Model/ Capacity (ton)	W Thread Size (mm)	X Thread Length (in.)
HCRL-50	M130 x 2	1.65

Specifications						
Cylinder capacity (tons)	Stroke (in.)	Model Number	Maximum Cylinder Capacity at 10,150 psi (tons)	Cylinder Effective Area (in. <sup>2</sup> )	Oil Capacity (in. <sup>3</sup> )	
					Advance	Retract
50	5.91	HCRL-506	54	10.60	62.55	5.24

Green shading reflects rental inventory.

Specifications											
Model Number	A Ext. Height (in.)	B Ext. Height (in.)	D Outside Diam. (in.)	E Cyl. Bore Diam. (in.)	F Plunger Diam. (in.)	H Base to Advance Port (in.)	I Top to Retract Port (in.)	J Standard Saddle Diam. (in.)	K Saddle Protrusion from Plngr (in.)	S Lock Nut (in.)	Weight (lbs.)
HCRL-506	12.20	9.17	5.12	3.93	Tr90 x 4	1.61	1.04	3.02	0.59	1.02	65

Green shading reflects rental inventory.