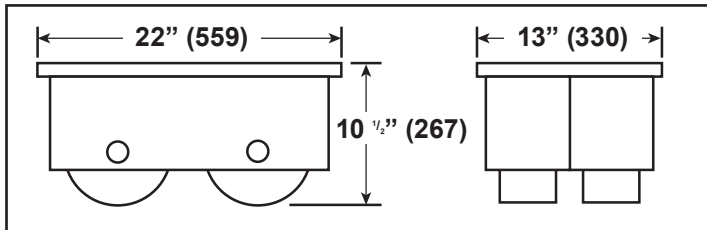


## Load Equalizing Dollies | 150 Ton | Big Wheel Dolly | Low Profile Machine Skates

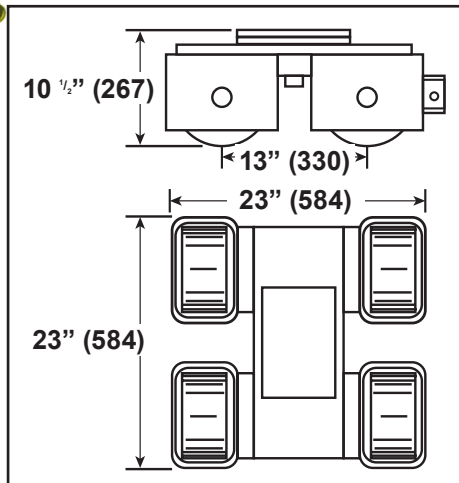
### Quad-Roll Dolly



### Quad-Roll Dolly

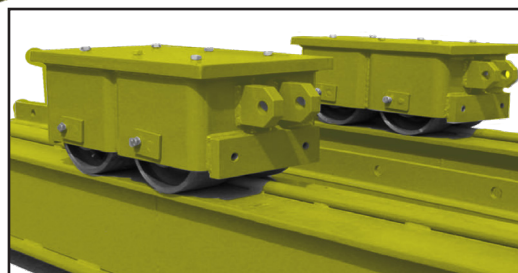
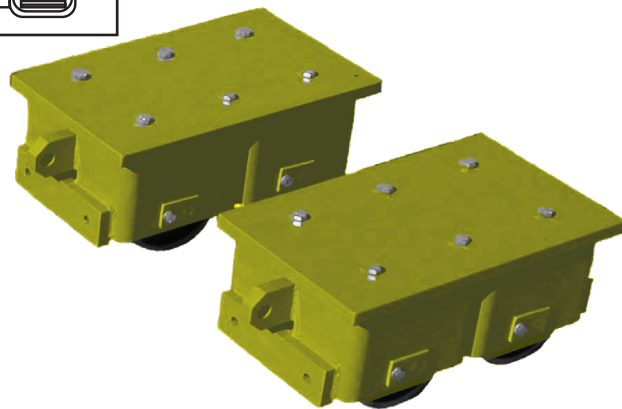
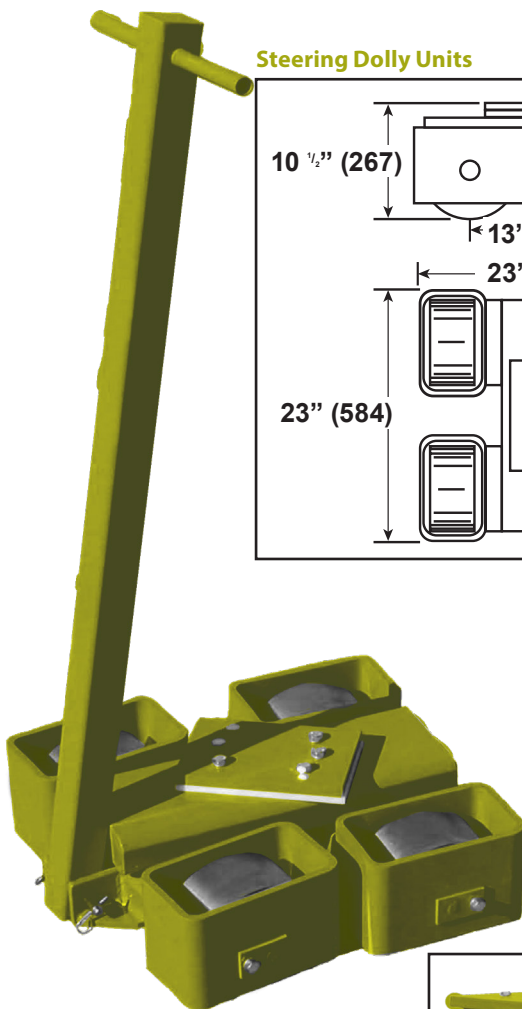
- Quad-Roll Units are built in capacities of 50 (45) ton each.
- Quad-Roll Units can be used in conjunction with the 50 (45) ton Steering Dolly Units for heavier loads.

### Steering Dolly Units



### Steering Dolly Units

- Steering units are built in capacities of 50 (45) ton each.
- Steering units are designed with a swivel plate, 4' (1219) handle for steering, and a special bearing to insure easy and smooth turns
- Steel wheels with special antifriction bearings insure easy movement.
- Units require little or no maintenance
- No channel, no steel plates



Designed for Use with  
Lift Systems' Runway Track