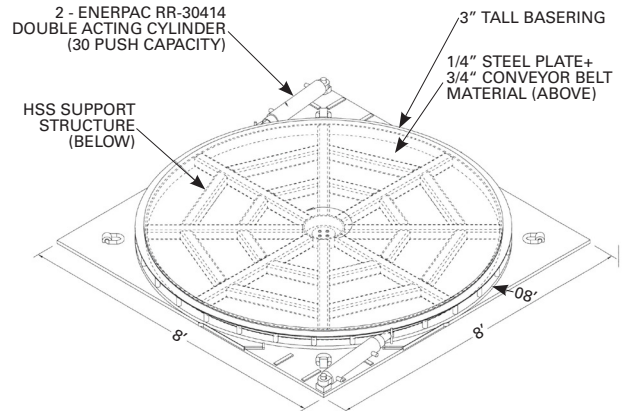
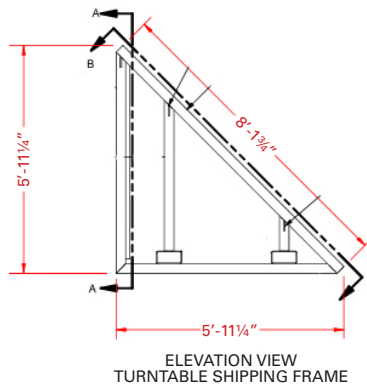
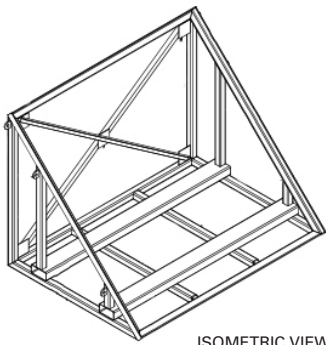


Hydraulic Turntable | 500 Ton | TT250/500-8 | Hydraulic Turntable w/ Support Structure



Specifications

Model	System Capacity (tons)	Turntable Height (in)	Cylinder Capacity (tons)	No. of Push Cylinders	Cylinder Stroke (in)	Cylinder Hydraulic Couplers	Rotation Speed	Loading Surface Material	Max. Operating Pressure (psi)	Base Dimensions (ft)	Rotating Plate Diameter (ft)	System Weight (lbs)
TT250/500-8	500 (2 cyl. System)	6	25	2	14.25	Enerpac CR400 (female)	90° / 7min	Rubber	10,000	8 x 8	8	6400

Green Shading reflects rental inventory.